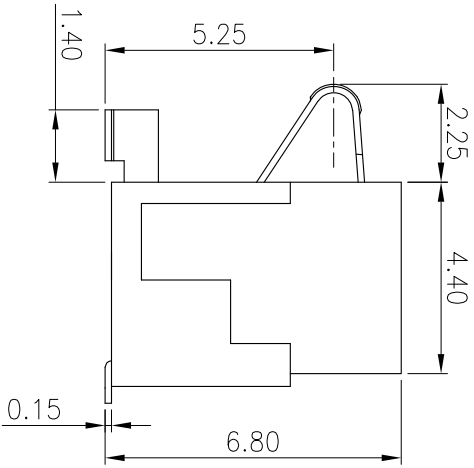
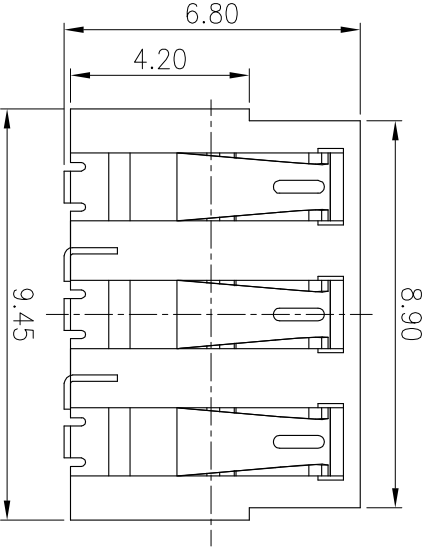
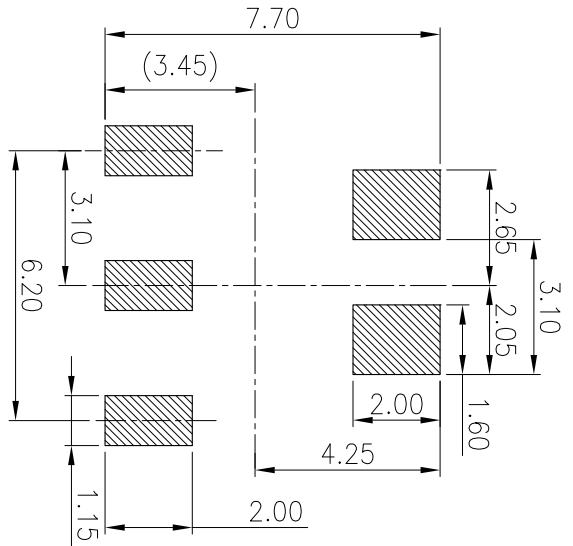
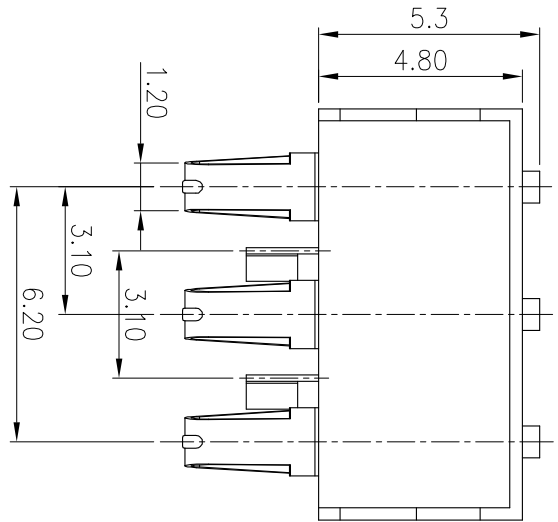
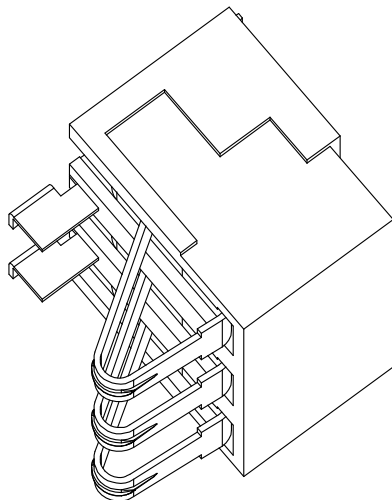


THIS INFORMATION IS CONFIDENTIAL AND IS DISCLOSED TO YOU ON CONDITION THAT NO FURTHER DISCLOSURE IS MADE BY YOU TO OTHER THAN TETULL PERSONNEL WITHOUT WRITTEN AUTHORIZATION FROM TETULL LTD.



RECOMMENDED P.C.B. LAYOUT
TOLERANCE UNSPECIFIED ±0.05mm



- SPECIFICATION**
- 1.CURRENT RATING:3A MAX.
 - 2.DIELECTRIC WITHSTANDING VOLTAGE:350V AC R.M.S FOR ONE MINUTE.
 - 3.INSULATION RESISTANCE:250MOHM.MIN AT 250V DC.
 - 4.OPERATING TEMPERATURE:-40°C TO+85°C.
 - 5.ROHS 2002/95/EC COMPLIANT.

C	FIXING	2	COPPER ALLOY 0.20t	All over Tin & Nickel Plated
B	CONTACT	3	COPPER ALLOY 0.15t	Gold Flash On Contact Area and Solder tail All over Nickel Plated.
A	HOUSING	1	THERMOPLASTIC U94-40	BLACK
NO	DESCRIPTION	QTY	MATERIAL	PLATING & COLOR
UNLESS OTHERWISE SPECIFIED TOLERANCES				
DECIMALS:		ANGLES:		
X	±0.5	X	±2°	
X.X	±0.3	X.X	±1'	
X.XX	±0.2			
TITLE:		3.1 BATTERY 3P 6.8H		
PART NO.	1040303AR002			
DWN	JAMES			
CHKD	2012.03.29			
APVD				
SCALE 1:1	UNIT: mm			
SIZE: A4	SHEET: 10F1			

REV.	ECN NO.	OR DESCRIPTION	REVISED	DATE
A		PRODUCT RELEASE	JAMES	2012.03.29