

ROHS Compliant

THIS INFORMATION IS CONFIDENTIAL AND IS DISCLOSED TO YOU ON CONDITION THAT NO FURTHER DISCLOSURE IS MADE BY YOU TO OTHER THAN TETULL PERSONNEL WITHOUT WRITTEN AUTHORIZATION FROM TETULL LTD.

REV.	ECN NO OR DESCRIPTION	REVISED	DATE
A	PRODUCT RELEASE	JAMES	2008.03.29
B	MODIFY	JAMES	2018.08.16
C	MODIFY	BROKEN	2019.06.05

NO	DESCRIPTION	QTY	MATERIAL	PLATING & COLOR
D	SHELL-B	1	SUS 304	50u" Min Ni; PLATED OVERALL
C	SHELL-A	1	SUS 304	50u" Min Ni; PLATED OVERALL
B	CONTACT	17	C5191	G/F plated on Contact Area 100u" Min Tin plated on Solder tail 30u" Min Ni underplated
A	HOUSING	1	LCP E30I	WHITE

UNLESS OTHERWISE SPECIFIED TOLERANCES

DECIMALS: ANGLES:

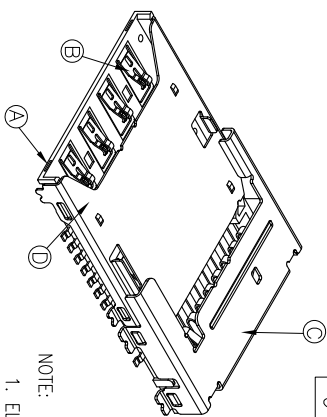
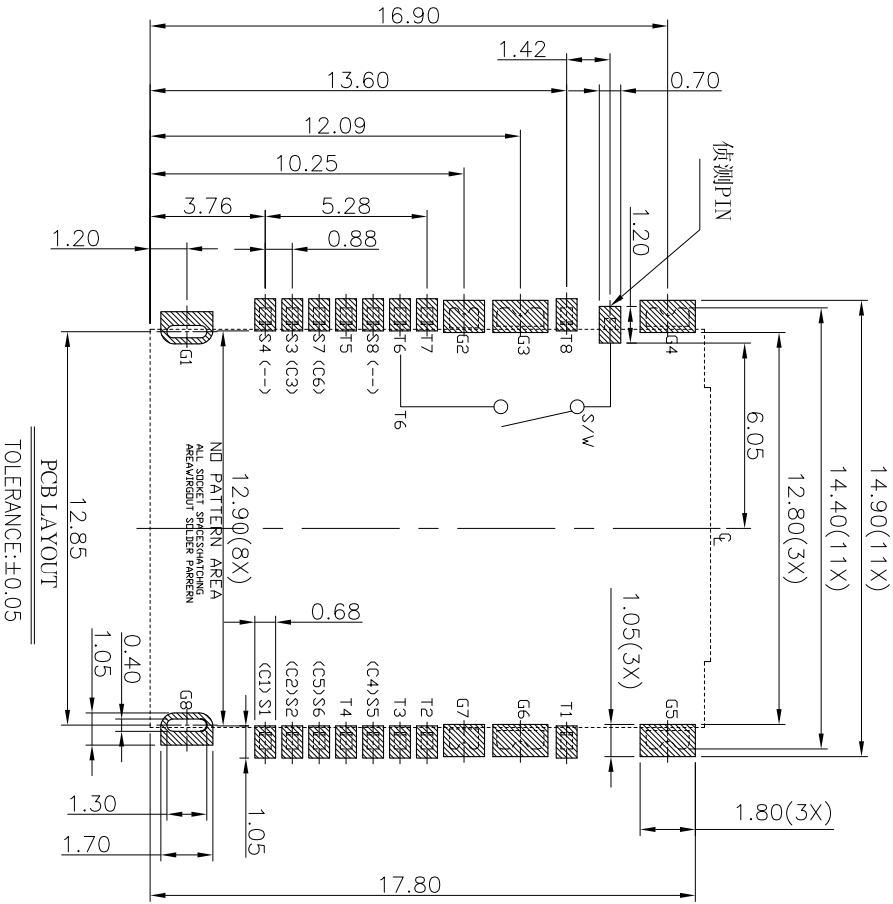
X : ±0.5 X : ±2'
 X.X : ±0.3 X.X : ±1'
 X.XX : ±0.2 X.XX : ±1'

TITLE: MICRO SIM +TF CARD 二合一 带检测PIN
 PART NO. 1051401AR002
 DWG BROKEN 2019.06.05
 CHKD
 APVD
 SCALE 1:1 UNIT: mm
 SIZE: A4 SHEET: 10F1 REV: C

CUSTOMER COPY

TETULL CORPORATION

THIS INFORMATION IS CONFIDENTIAL AND IS DISCLOSED TO YOU ON CONDITION THAT NO FURTHER DISCLOSURE IS MADE BY YOU TO OTHER THAN TETULL PERSONNEL WITHOUT WRITTEN AUTHORIZATION FROM TETULL LTD.



NOTE:

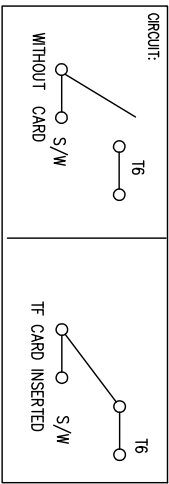
1. ELECTRICAL CHARACTERISTICS
 - 1-1. VOLTAGE RATING: 10V DC.
 - 1-2. CURRENT RATING: 0.5 A.
 - 1-3. CONTACT RESISTANCE:
 - MICRO SIM PART : 50 milliohms MAX.
 - T-FLASH PART : 80 milliohms MAX.
 - 1-4. INSULATION RESISTANCE: 1000 Megohms MIN.
 - 1-5. DIELECTRIC WITHSTANDING VOLTAGE: 500V AC FOR 1 MINUTE.
2. MECHANICAL CHARACTERISTICS
 - 2-1. RETENTION FORCE: 100gf MIN./PIN.
 - 2-2. DURABILITY:5000 CYCLES.
 - 3. SALT SPRAY: 24H.
 - 4. OPERATING TEMPERATURE:-40°C~85°C.
 - 5. ROHS 2002/95/EC COMPLIANT.
 - 6. MPQ : 1000PCS/REEL.

MICRO SIM CARD PIN-MAP

8P 6P	DESCRIPTION
S1 C1	VCC(Supply V)
S2 C2	RST(Reset)
S3 C3	CLK(Clock)
S4 --	Reserved
S5 C4	GND
S6 C5	Vpp(Program V)
S7 C6	I/O
S8 --	Reserved
G1~G8	GND

MICRO SD CARD PIN-MAP

PIN NO.	DESCRIPTION
T1	DAT2
T2	CD/DAT3 ²
T3	CMD
T4	VDD
T5	CLK
T6	Vss(GND)
T7	DATO
T8	DAT1



D	SHELL-B	1	SUS 304
C	SHELL-A	1	SUS 304
B	CONTACT	17	C5191
A	HOUSING	1	LCP E30I
NO	DESCRIPTION	QTY	MATERIAL

UNLESS OTHERWISE SPECIFIED TOLERANCES

DECIMALS: ANGLES:

X : ±0.5 X : ±2°

X.X : ±0.3 X.X : ±1°

X.XX : ±0.2

		TITLE:	
		MICRO SIM +TF CARD二合一-检测PIN	
PART NO.	1051401AR002	SCALE 1:1	UNIT: mm
DWG	BROKEN	SIZE: A4	SHEET: 10F1
CHKD			REV: C
APVD			
CUSTOMER COPY			

REV.	ECN NO OR DESCRIPTION	REVISED	DATE
A	PRODUCT RELEASE	JAMES	2008.03.29
B	MODIFY	JAMES	2018.08.16
C	MODIFY	BROKEN	2019.06.05