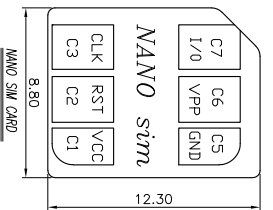
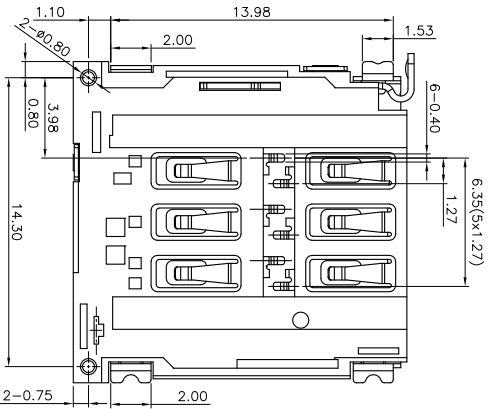
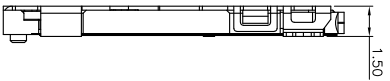
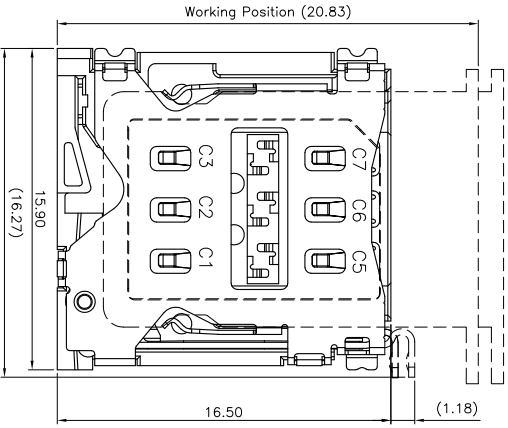
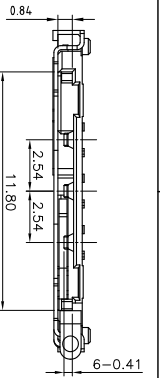
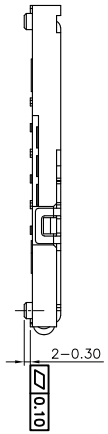


THIS INFORMATION IS CONFIDENTIAL AND IS DISCLOSED TO YOU ON CONDITION THAT NO FURTHER DISCLOSURE IS MADE BY YOU TO OTHER THAN TETULL PERSONNEL WITHOUT WRITTEN AUTHORIZATION FROM TETULL LTD.

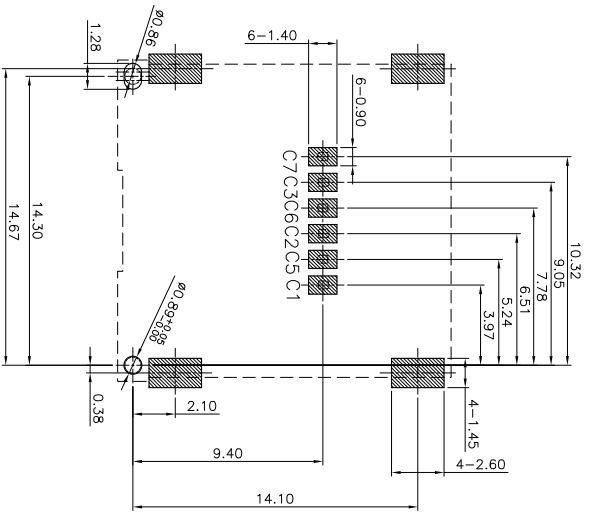


SIM pin Assignment	Pin#	Name
C1		VCC
C2		RST
C3		CLK
C5		GND
C6		VPP
C7		I/O

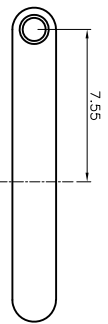
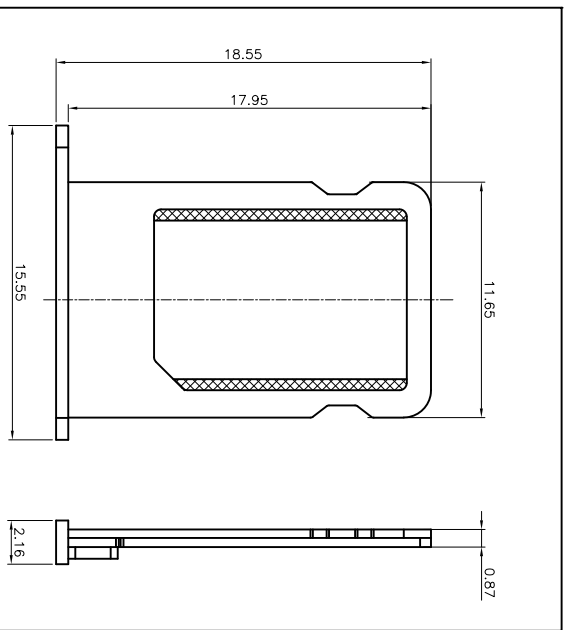


NOTE:

- ELECTRICAL CHARACTERISTICS
  - VOLTAGE RATING: 12V DC.
  - CURRENT RATING: 1.0 A.
  - CONTACT RESISTANCE: 60 milliohms MAX.
  - INSULATION RESISTANCE: 1000 Megohms MIN.
  - DIELECTRIC WITHSTANDING VOLTAGE: 500V AC FOR 1 MINUTE.
- MECHANICAL CHARACTERISTICS
  - RETENTION FORCE: 100gf MIN./PIN.
  - DURABILITY:5000 CYCLES.
  - SALT SPRAY: 24H.
  - OPERATING TEMPERATURE: -40C~85C.
  - ROHS 2002/95/EC COMPLIANT.
  - MPQ : 1000PCS/REEL.



RECOMMENDED PCB LAYOUT  
GENERAL TOLERANCE ±0.05



Regular type  
P/N:1050808AR014  
Customized type (Other shapes or Other finish)

NO	DESCRIPTION	QTY	MATERIAL	PLATING & COLOR
E	CAM	1	SUS	
D	LEVER	1	SUS	
C	SHELL	1	SUS 304	
B	CONTACT	6	C5191	G/F plated on contact area G/F plated on Solder tail 30u" MIN Ni underplated.
A	HOUSING	1	LCP E301	BLACK

UNLESS OTHERWISE SPECIFIED TOLERANCES	DECIMALS:	ANGLES:
	X : ±0.5	X : ±2°
	X.X : ±0.3	X.X : ±1°
	X.XX : ±0.2	

TITLE:	W/O DETECT PIN
NANO SIM CARD 6P 1.5H	
PART NO.	1050808AR002
DWG	TOM
CHKD	
APVD	
SCALE 1:1	UNIT: mm
SIZE: A4	SHEET: 10F1
CUSTOMER COPY	REV: A

REV.	ECN NO OR DESCRIPTION	REVISED	DATE
A	PRODUCT RELEASE	TOM	2011.03.22

