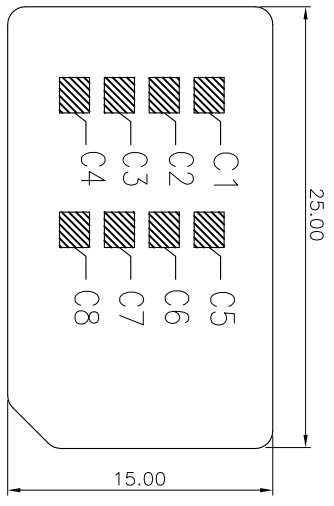
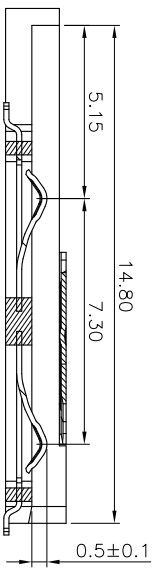
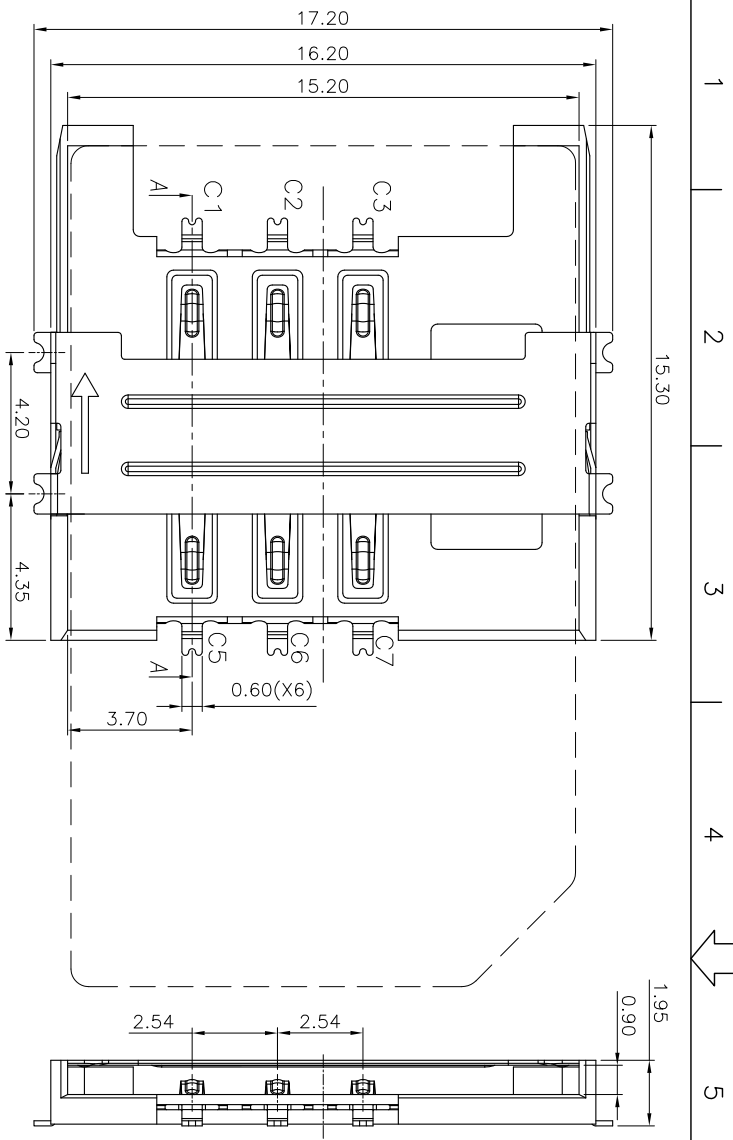


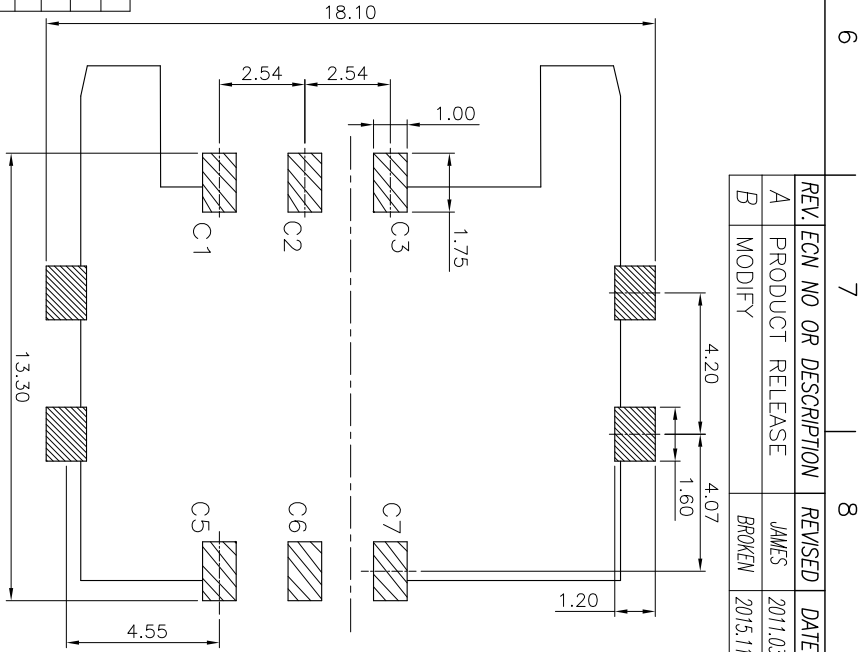
THIS INFORMATION IS CONFIDENTIAL AND IS DISCLOSED TO YOU ON CONDITION THAT NO FURTHER DISCLOSURE IS MADE BY YOU TO OTHER THAN TETULL PERSONNEL WITHOUT WRITTEN AUTHORIZATION FROM TETULL LTD.



NOTE:

1. ELECTRICAL CHARACTERISTICS
- 1-1. VOLTAGE RATING: 15V DC.
- 1-2. CURRENT RATING: 1.0 A.
- 1-3. CONTACT RESISTANCE: 50 milliohms MAX.
- 1-4. INSULATION RESISTANCE: 1000 Megohms MIN.
- 1-5. DIELECTRIC WITHSTANDING VOLTAGE: 500V AC FOR 1 MINUTE.
2. MECHANICAL CHARACTERISTICS
- 2-1. RETENTION FORCE: 100gf MIN./PIN.
- 2-2. DURABILITY: 5000 CYCLES.
3. SALT SPRAY: 24H.
4. OPERATING TEMPERATURE: -40°C~85°C.
5. ROHS 2002/95/EC COMPLIANT.
6. MPQ : 1000PCS/REEL.

SIM pin Assignment	PIN#	Name
	C1	VCC
	C2	RST
	C3	CLK
	C4	N/A
	C5	GND
	C6	VPP
	C7	I/O
	C8	N/A



RECOMMENDED PCB LAYOUT  
GENERAL TOLERANCE ±0.05

REV.	ECN NO OR DESCRIPTION	REVISED	DATE
A	PRODUCT RELEASE	JAMES	2011.03.22
B	MODIFY	BROKEN	2015.11.13

C	SHELL	1	STAINLESS STEEL 0.15t	Ni PLATING
B	CONTACT	6	COPPER ALLOY 0.12t	Gold plated on contact area Gold plated on Solder tail All over Nickel plated
A	HOUSING	1	HIGH-TEMPERATURE PLASTIC UL94-V0	BLACK
NO	DESCRIPTION	QTY	MATERIAL	PLATING & COLOR
UNLESS OTHERWISE SPECIFIED TOLERANCES				
DECIMALS:	ANGLES:			
X : ±0.5	X : ±2°			
X.X : ±0.3	X.X : ±1°			
X.XX : ±0.2	X.XX : ±0.2			

TETULL CORPORATION

CUSTOMER COPY

TITLE: SIM CARD 6P 1.90H  
W/LOCATION: 1050606AR010  
PART NO.: 1050606AR010  
DWG: BROKEN  
CHKD: 2015.11.13  
APVD:   
SCALE 1:1  
UNIT: mm  
SHEET: 10F1  
REV: B

