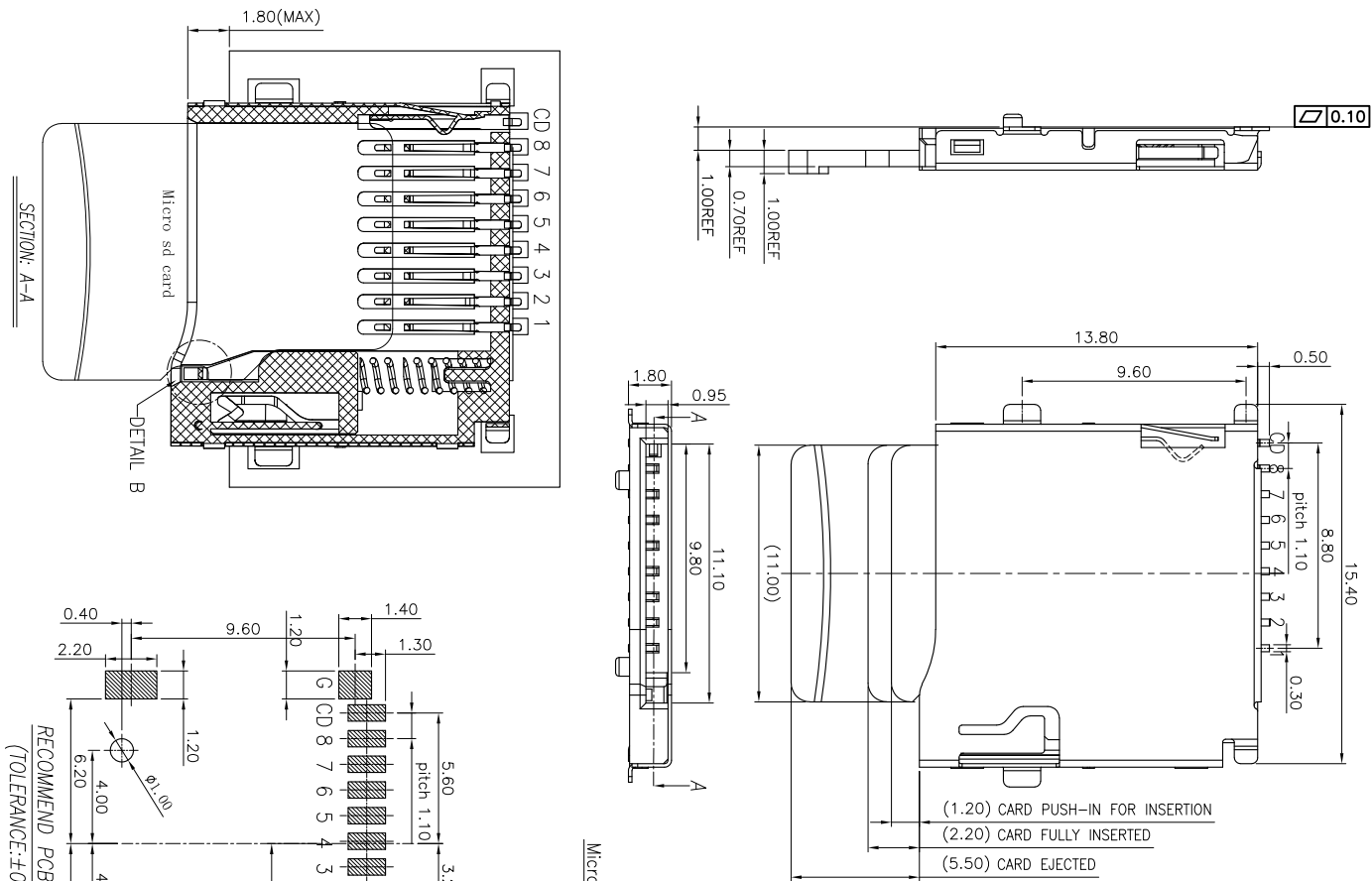


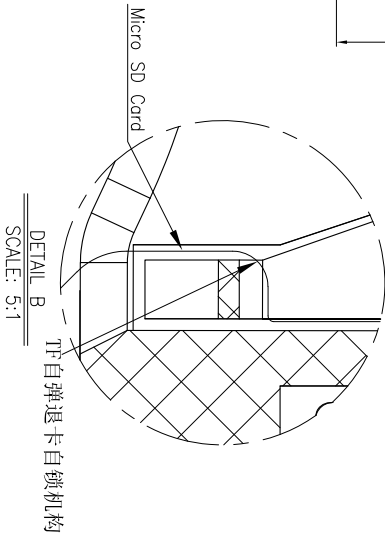
THIS INFORMATION IS CONFIDENTIAL AND IS DISCLOSED TO YOU ON CONDITION THAT NO FURTHER DISCLOSURE IS MADE BY YOU TO OTHER THAN TETULL PERSONNEL WITHOUT WRITTEN AUTHORIZATION FROM TETULL LTD.



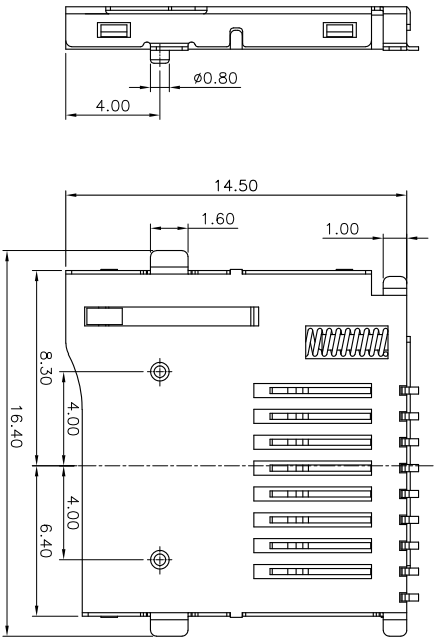
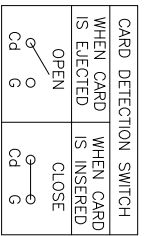
RECOMMEND PCB LAYOUT
(TOLERANCE: ±0.05)

F	SLIDER	1	HIGH-TEMPERATURE PLASTIC U94-10	BLACK
E	LINK	1	STAINLESS STEEL	
D	SPRING	1	SMP	
C	SHELL	1	STAINLESS STEEL 0.15t	NI PLATING
B	CONTACT	9	COPPER ALLOY 0.15t	Gold plated on contact area Tin plated on Solder tail All over Nickel Plated
A	HOUSING	1	HIGH-TEMPERATURE PLASTIC U94-10	BLACK

UNLESS OTHERWISE SPECIFIED TOLERANCES
DECIMALS: ANGLES:
X : ±0.5 X : ±2°
X.X : ±0.3 X.X : ±1°
X.XX : ±0.2 X.XX : ±0.2



- NOTE:
- ELECTRICAL CHARACTERISTICS
 - 1-1. VOLTAGE RATING: 10V DC.
 - 1-2. CURRENT RATING: 0.5 A.
 - 1-3. CONTACT RESISTANCE: 80 milliohms MAX.
 - 1-4. INSULATION RESISTANCE: 1000 Megohms MIN.
 - 1-5. DIELECTRIC WITHSTANDING VOLTAGE: 500V AC
 - MECHANICAL CHARACTERISTICS
 - 2-1. RETENTION FORCE: 100gf MIN./PIN.
 - 2-2. DURABILITY: 5000 CYCLES.
 - 3. SALT SPRAY: 24H.
 - 4. OPERATING TEMPERATURE: -40°C~85°C.
 - 5. ROHS 2002/95/EC COMPLIANT.
 - 6. MPQ : 1000PCS/REL



Pin No.	Pin assignment
1	DAT2
2	CD/DAT3
3	CMD
4	VDD
5	CLK
6	VSS
7	DAT0
8	DAT1
CD	CARD DETECTION
G	GROUND

CUSTOMER COPY

TITLE: T-FLASH CONN PUSH TYP 1.8H
PART NO. 1060802AR107
DWG BROKEN 2012.01.14
CHKD
APVD
SCALE 1:1
UNIT: mm
SHEET: 10F1
REV: B