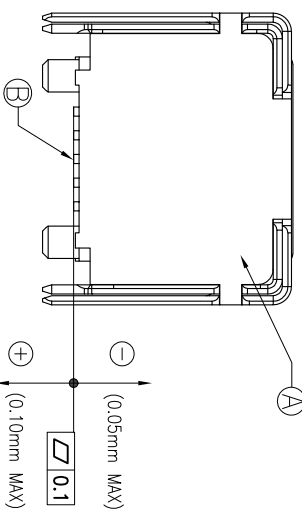
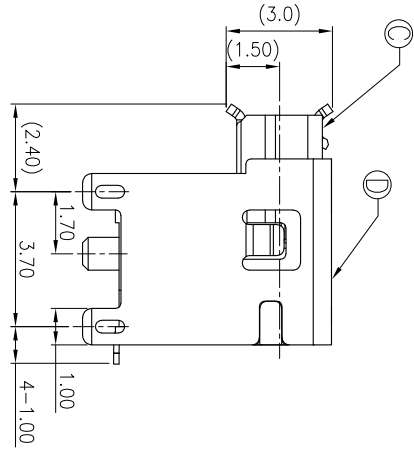
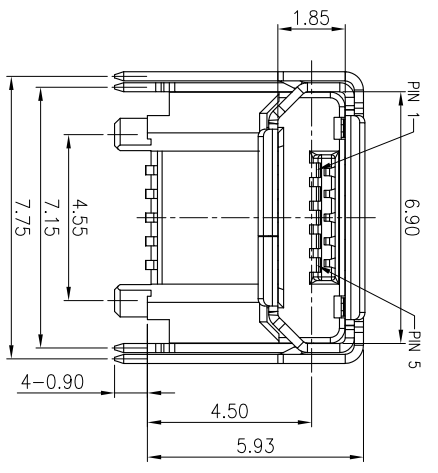
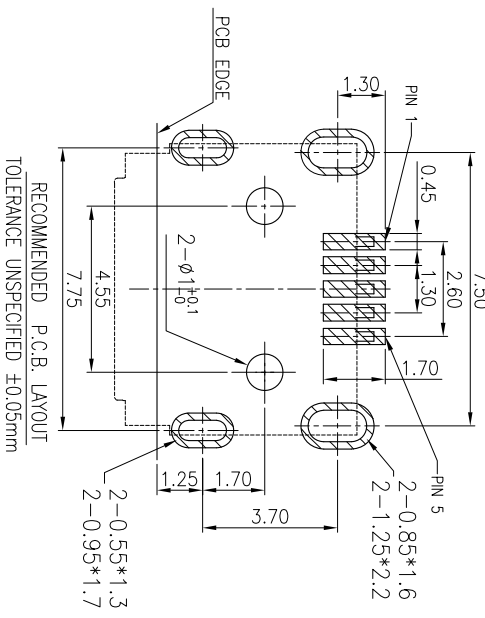
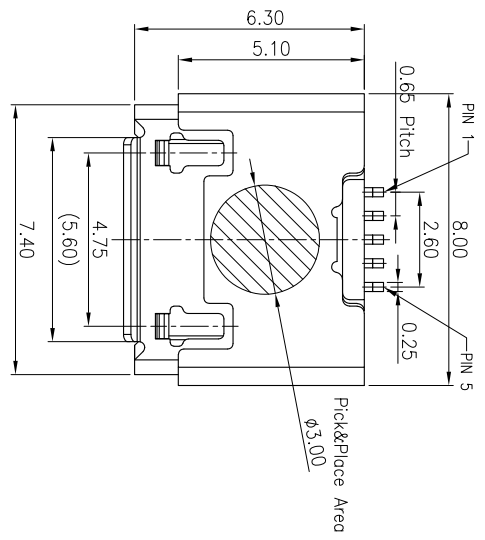
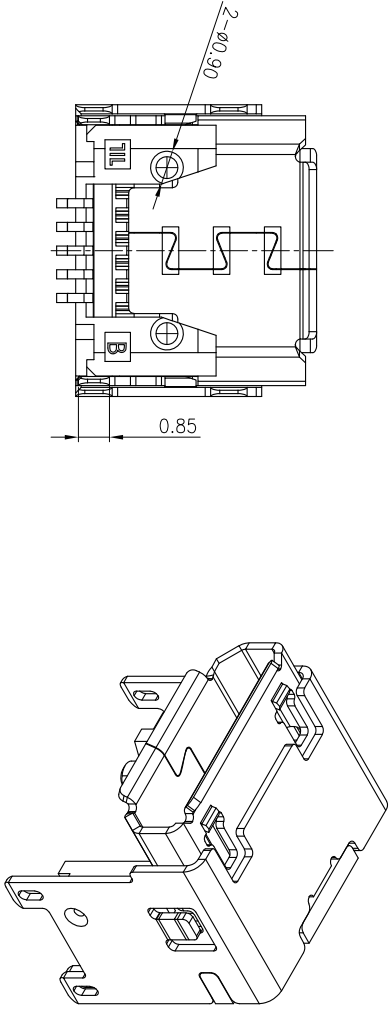


THIS INFORMATION IS CONFIDENTIAL AND IS DISCLOSED TO YOU ON CONDITION THAT NO FURTHER DISCLOSURE IS MADE BY YOU TO OTHER THAN TETULL PERSONNEL WITHOUT WRITTEN AUTHORIZATION FROM TETULL LTD.



5	GND
4	ID
3	D+
2	D-
1	VBUS
1	PIN NAME
	PIN ASSIGNMENT

(coplanarity 0.1mm MAX. Before, during and after Reflow)



REV/ECN NO OR DESCRIPTION	REVISED	DATE
A PRODUCT RELEASE	JMMS	2016.04.13
B MODIFY	BROKEN	2019.07.27

NOTE:

- ELECTRICAL CHARACTERISTICS
  - 1-1. VOLTAGE RATING:30V AC
  - 1-2. CURRENT RATING:2.0A (pin1,5),0.5A (pin2,3,4)
  - 1-3. CONTACT RESISTANCE: 50 milliohms MAX.
  - 1-4. INSULATION RESISTANCE: 100 Megohms MIN.
  - 1-5. DIELECTRIC WITHSTANDING VOLTAGE: 250V AC FOR 1 MINUTE.
- MECHANICAL CHARACTERISTICS
  - 2-1. MATING&UMMATING FORCE: 0.8kgf~3.5kgf
  - 2-2. DURABILITY:5000CYCLES
- SALT SPRAY: 24H
- OPERATING TEMPERATURE:-40C~85C
- RoHS 2002/95/EC COMPLIANT.
- MPQ : 1000PCS/REEL.

D	COVER	1	STAINLESS STEEL 0.25t	NI PLATING
C	SHIELD	1	STAINLESS STEEL 0.25t	NI PLATING
B	CONTACT	5	COPPER ALLOY 0.15t	1µ Gold On Contact Area Tin plated on Solder tail All over Nickel Plated.
A	HOUSING	1	THERMOPLASTIC U94-H0	BLACK
NO	DESCRIPTION	QTY	MATERIAL	PLATING & COLOR

UNLESS OTHERWISE SPECIFIED TOLERANCES

DECIMALS: ANGLES:

X : ±0.5 X : ±2°  
 X.X : ±0.3 X.X : ±1°  
 X.XX : ±0.2 X.XX : ±0.2

TITLE: Micro USB CONNECTOR  
 DIP TYPE(\*\*\*\*)

PART NO. 103056AR002  
 DWG BROKEN 2019.07.27

CHKD  
 APVD

SCALE 1:1 UNIT: mm

CUSTOMER COPY SIZE: A4 SHEET: 10F1 REV: B