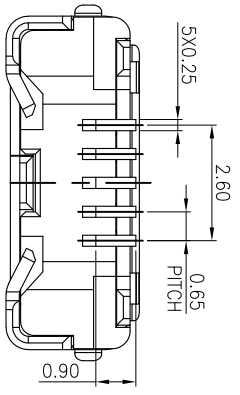
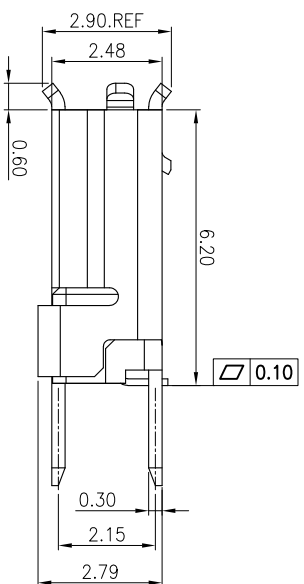
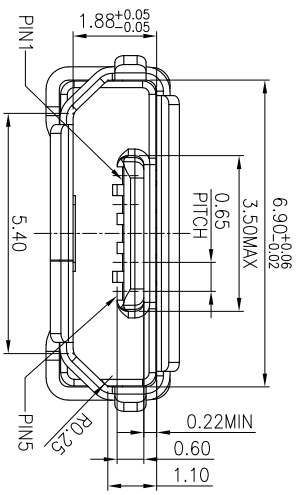
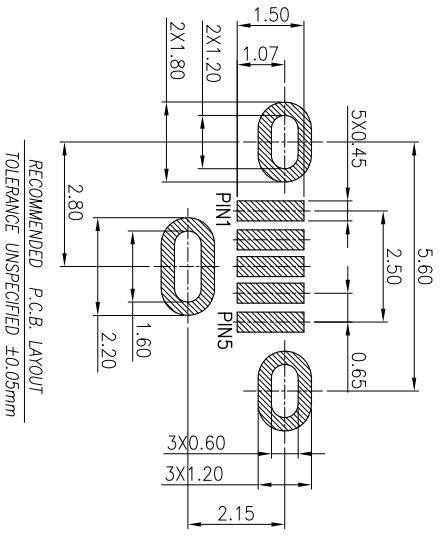
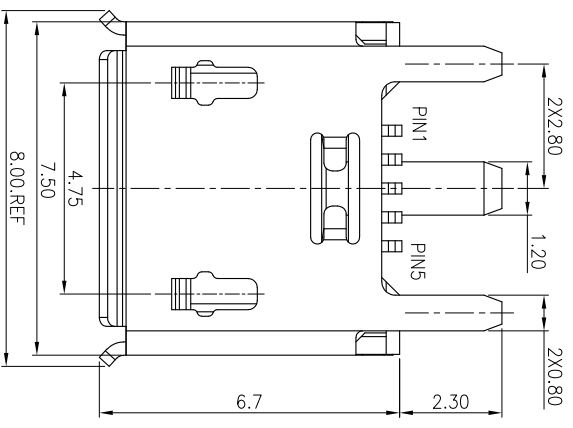
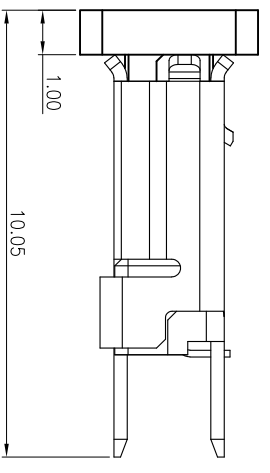
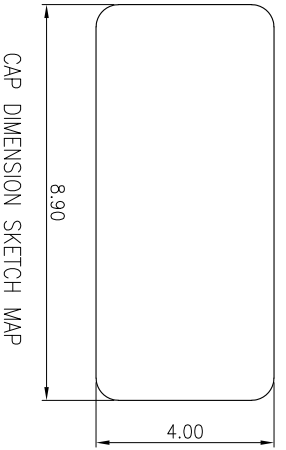


THIS INFORMATION IS CONFIDENTIAL AND IS DISCLOSED TO YOU ON CONDITION THAT NO FURTHER DISCLOSURE IS MADE BY YOU TO OTHER THAN TETULL PERSONNEL WITHOUT WRITTEN AUTHORIZATION FROM TETULL LTD.



5	GND
4	ID
3	D+
2	D-
1	VBUS
PIN	NAME
PIN	ASSIGNMENT



REV/ECN NO OR DESCRIPTION	REVISED	DATE
A PRODUCT RELEASE	TOM	2016.09.25
B MODIFY	BROKEN	2021.03.22

- NOTE:
- ELECTRICAL CHARACTERISTICS
 - 1-1. VOLTAGE RATING: 30V AC
 - 1-2. CURRENT RATING: 2.0A (pin1,5):0.5A (pin2,3,4)
 - 1-3. CONTACT RESISTANCE: 50 milliohms MAX.
 - 1-4. INSULATION RESISTANCE: 100 Megohms MIN.
 - 1-5. DIELECTRIC WITHSTANDING VOLTAGE: 250V AC FOR 1 MINUTE.
 - MECHANICAL CHARACTERISTICS
 - 2-1. MATING&UNMATING FORCE: 0.8kgf~3.5kgf
 - 2-2. DURIBILITY: 5000CYCLES
 - 3. SALT SPRAY: 24H
 - 4. OPERATING TEMPERATURE: -40°C~85°C
 - 5. ROHS 2002/95/EC COMPLIANT.
 - 6. MPQ : 600PCS/REEL

NO	DESCRIPTION	QTY	MATERIAL	PLATING & COLOR
C	SHIELD	1	STAINLESS STEEL 0.30T	N: PLATED
B	TERMINAL	5	COPPER ALLOY 0.15T	Gold Flash On Contact Area Tin plated on Solder tail All over Nickel Plated.
A	HOUSING	1	THERMOPLASTIC U94-I0	BLACK

UNLESS OTHERWISE SPECIFIED TOLERANCES

DECIMALS: ANGLES:

X : ±0.5 X : ±2°
 X.X : ±0.3 X.X : ±1°
 X.XX : ±0.2 X.XX : ±0.2

TITLE: Micro usb B 5P DIP+SMT TYPE
 PART NO. 1030560AR001
 DWG BROKEN 2021.03.22
 CHKD
 APVD
 SCALE 1:1 UNIT: mm
 CUSTOMER COPY SIZE: A4 SHEET: 10F1 REV: B