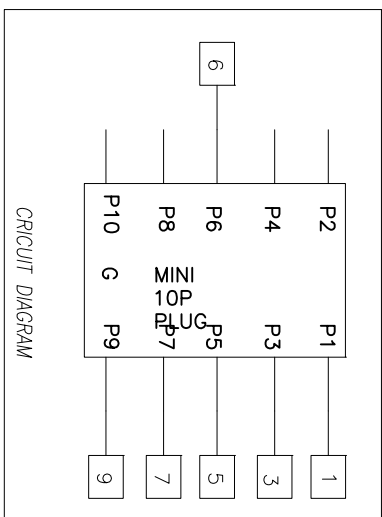
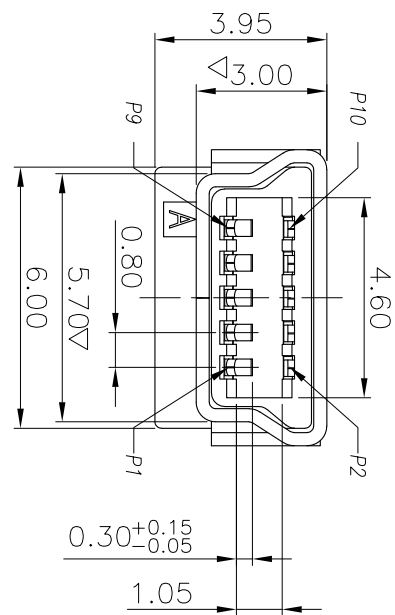
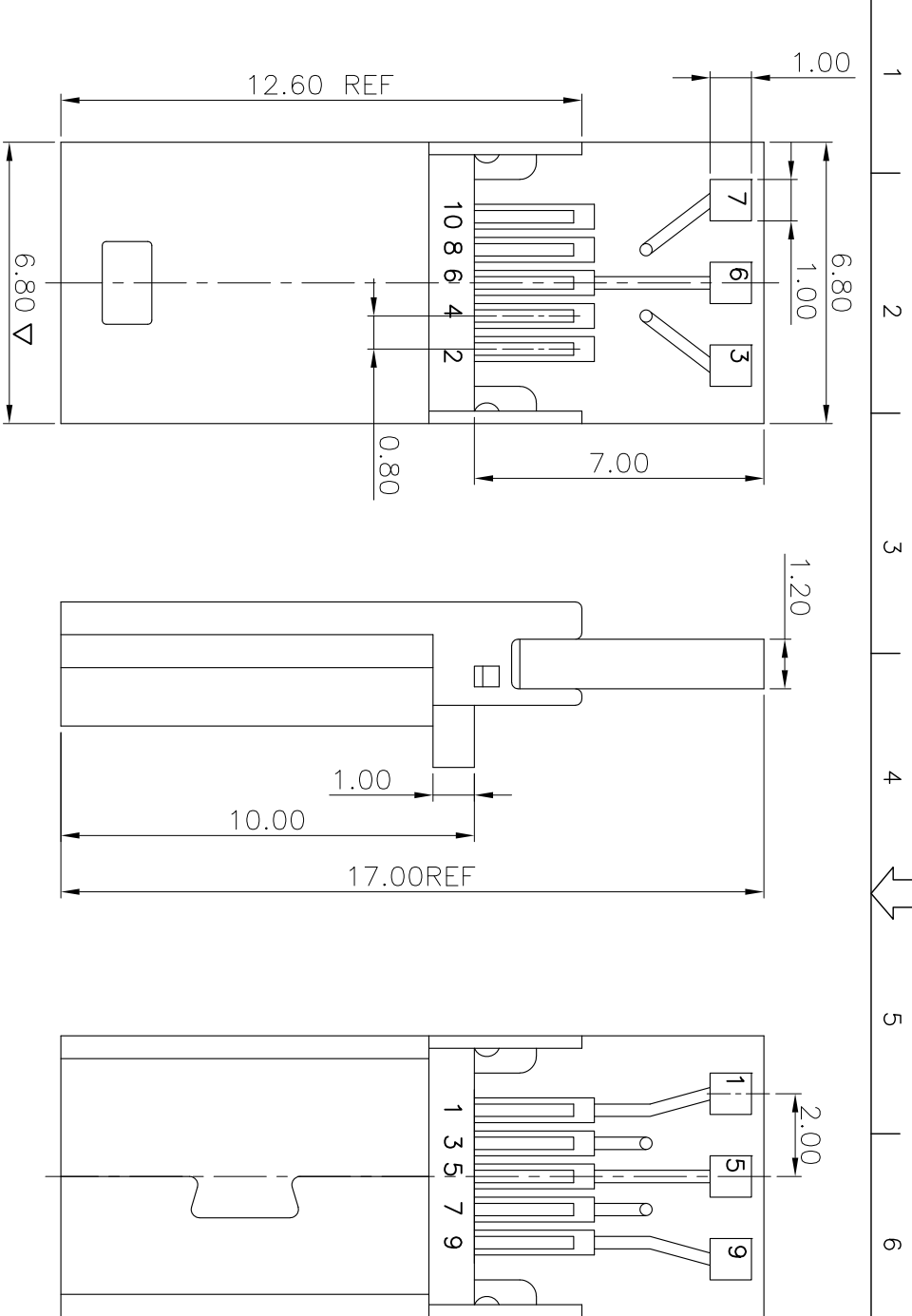


THIS INFORMATION IS CONFIDENTIAL AND IS DISCLOSED TO YOU ON CONDITION THAT NO FURTHER DISCLOSURE IS MADE BY YOU TO OTHER THAN TETULL PERSONNEL WITHOUT WRITTEN AUTHORIZATION FROM TETULL LTD.



REV	ECN NO OR DESCRIPTION	REVISED	DATE
A	PRODUCT RELEASE	MKE	2011.09.25

NOTE:

- ELECTRICAL CHARACTERISTICS
 - 1-1. VOLTAGE RATING: 30V AC
 - 1-2. CURRENT RATING: 2.0A
 - 1-3. CONTACT RESISTANCE: 50 milliohms MAX.
 - 1-4. INSULATION RESISTANCE: 100 Megohms MIN.
 - 1-5. DIELECTRIC WITHSTANDING VOLTAGE: 500V AC FOR 1 MINUTE.
- MECHANICAL CHARACTERISTICS
 - 2-1. MATING&UNMATING FORCE: 0.7kgf~3.5kgf
 - 2-2. DURIBILITY: 10000CYCLES
 - 3. SALT SPRAY: 24H
 - 4. OPERATING TEMPERATURE: -40C~85C
 - 5. ROHS 2002/95/EC COMPLIANT.
 - 6. CRITICAL DIMENSIONS : ∇

NO	DESCRIPTION	QTY	MATERIAL	PLATING & COLOR
D	PCB	1	FR4-1	N: PLATING
C	SHELL	1	SPOC 0.30I	Gold Flash On Contact Area
B	CONTACT	10	C5191 0.20I	Tin plated on Solder tail All over Nickel Plated.
A	HOUSING	1	LCP	BLACK

UNLESS OTHERWISE SPECIFIED TOLERANCES

DECIMALS: ANGLES:

X.XX :±0.5 X :±2°
X.X :±0.3 X.X :±1°
X.XX :±0.2

TITLE: MINI 10P 公头 绿 PCB 板型=17.0 (6点1, 3, 5, 6, 7, 9)

PART NO. 1031002GR038
DWG MIKE 2011.09.25
CHND
APVD
SCALE 1:1 UNIT: mm
SIZE: 44 SHEET: 10F1 REV: A



CUSTOMER COPY