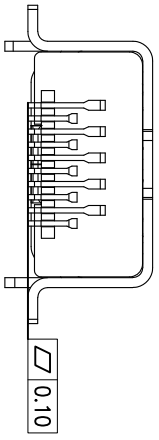
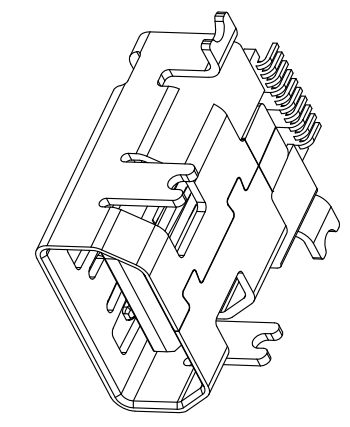
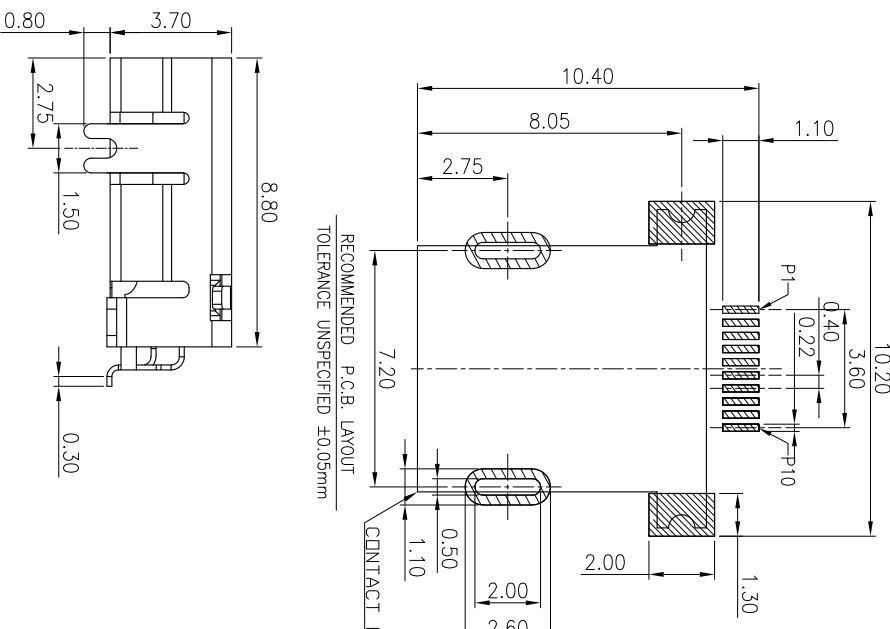
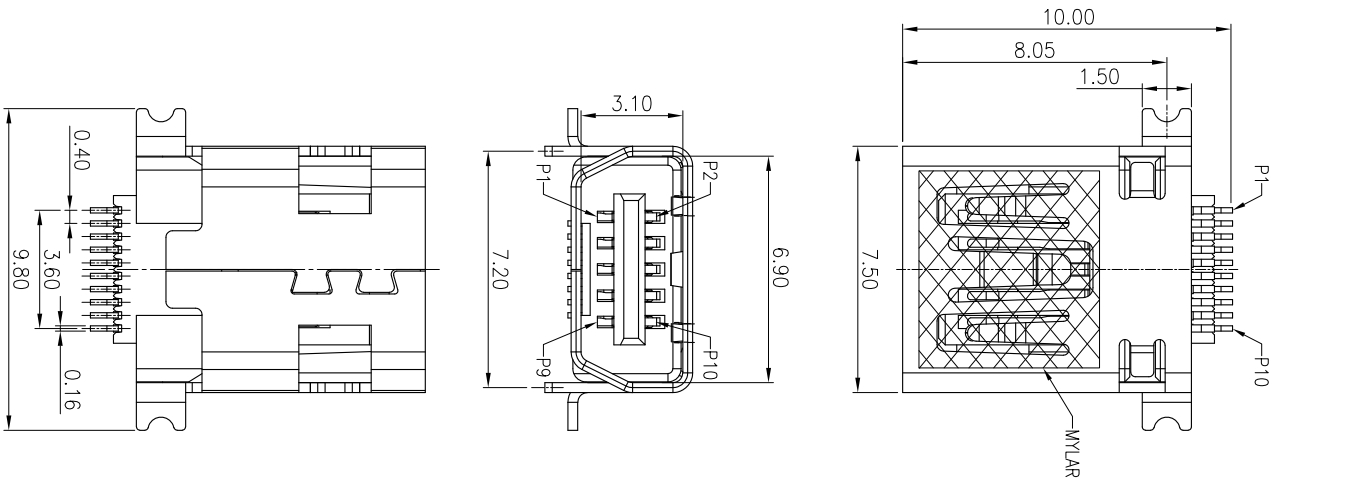


THIS INFORMATION IS CONFIDENTIAL AND IS DISCLOSED TO YOU ON CONDITION THAT NO FURTHER DISCLOSURE IS MADE BY YOU TO OTHER THAN TETULL PERSONNEL WITHOUT WRITTEN AUTHORIZATION FROM TETULL LTD.



1 2 3 4 5 6 7 8



REV.	ECN NO.	OR DESCRIPTION	REVISED	DATE
A		PRODUCT RELEASE	JAMES	2015.09.25
B		MODIFY	JAMES	2019.09.10

- NOTE:
- ELECTRICAL CHARACTERISTICS
    - 1-1. VOLTAGE RATING: 30V AC
    - 1-2. CURRENT RATING: 2.0A
    - 1-3. CONTACT RESISTANCE: 50 milliohms MAX.
    - 1-4. INSULATION RESISTANCE: 100 Megohms MIN.
    - 1-5. DIELECTRIC WITHSTANDING VOLTAGE: 500V AC
  - FOR 1 MINUTE:
  - MECHANICAL CHARACTERISTICS
    - 2-1. Mating FORCE: 35N Max
    - 2-2. Unmating FORCE: 7N Min(Initial)
    - 2-3. DURABILITY: 10000 CYCLES
    - 3. OPERATING TEMPERATURE: -40°C~85°C
    - 4. MPQ : 800PCS/REEL.

C	SHIELD	1	SPEC: 0.30T	Ni&Tin PLATED
B	TERMINAL	10	COPPER ALLOY 0.15T	Gold Flash On Contact Area Tin plated on Solder tail All over Nickel Plated.
A	HOUSING	1	THERMOPLASTIC UL94-V0	BLACK
NO	DESCRIPTION	QTY	MATERIAL	PLATING & COLOR
UNLESS OTHERWISE SPECIFIED TOLERANCES				
DECIMALS:		ANGLES:		
X	:±0.5	X	:±2°	
X.X	:±0.3	X.X	:±1°	
X.XX	:±0.2			
TITLE: MINI USB 10P母座前插后贴无柱		PART NO. 1031001GR001		
CUSTOMER COPY		DWN JAMES 2019.09.10		
SCALE 1:1		APVD		
SIZE: A4		UNIT: mm		
		SHEET: 10F1		
		REV: B		