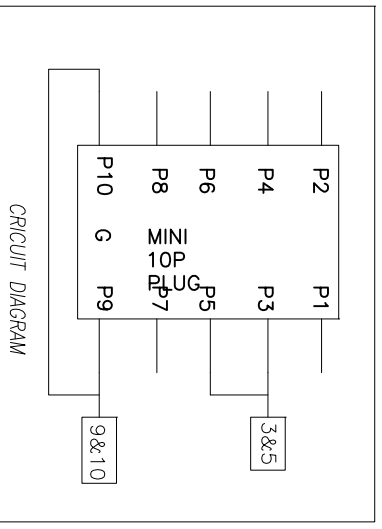
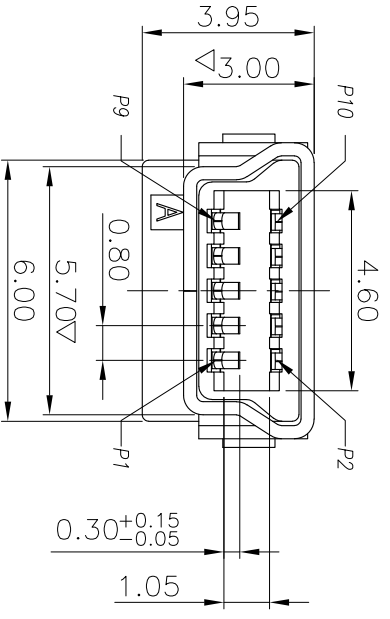
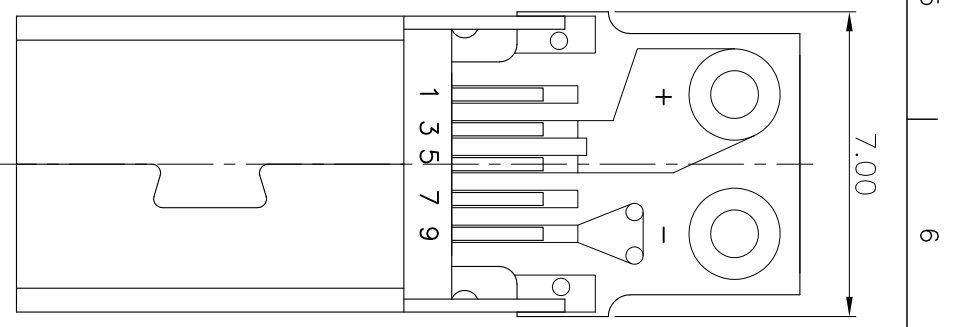
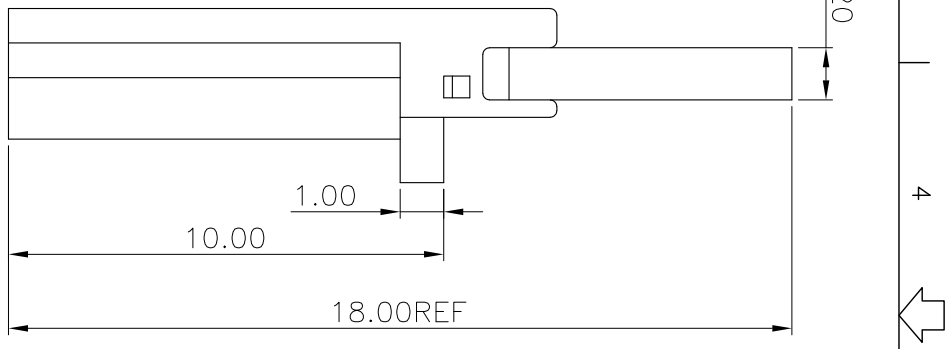
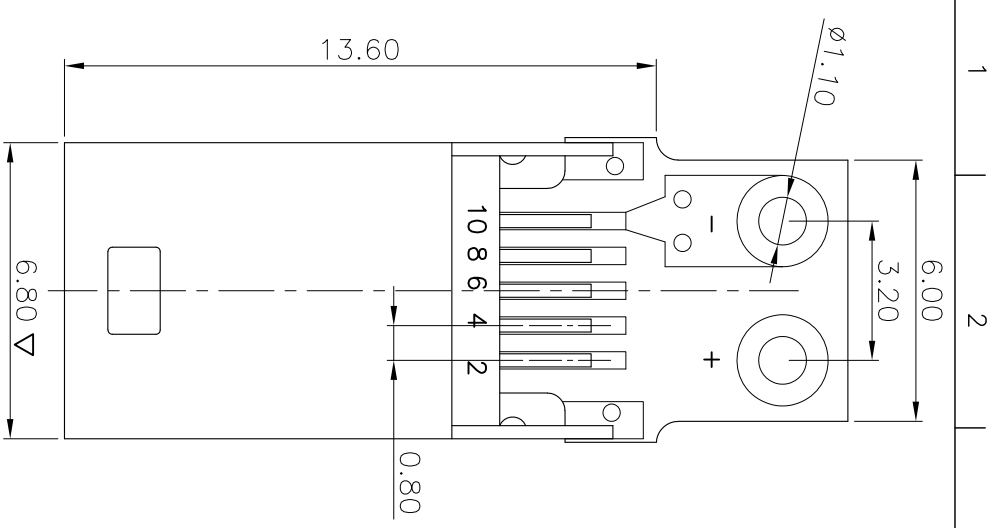


THIS INFORMATION IS CONFIDENTIAL AND IS DISCLOSED TO YOU ON CONDITION THAT NO FURTHER DISCLOSURE IS MADE BY YOU TO OTHER THAN TETULL PERSONNEL WITHOUT WRITTEN AUTHORIZATION FROM TETULL LTD.



| REV | ECN NO OR DESCRIPTION | REVISED | DATE |
|-----|-----------------------|---------|------------|
| A | PRODUCT RELEASE | MAKE | 2019.12.18 |
| B | MODIFY | MAKE | 2020.02.20 |
| C | MODIFY | BROKEN | 2020.12.26 |

NOTE:

- ELECTRICAL CHARACTERISTICS
 - VOLTAGE RATING: 30V AC
 - CURRENT RATING: 2.0A
 - CONTACT RESISTANCE: 50 milliohms MAX.
 - INSULATION RESISTANCE: 100 Megohms MIN.
 - DIELECTRIC WITHSTANDING VOLTAGE: 500V AC FOR 1 MINUTE.
- MECHANICAL CHARACTERISTICS
 - MATING&UMATING FORCE: 0.7kgf~3.5kgf
 - DURIBILITY: 10000CYCLES
 - SALT SPRAY: 24H
 - OPERATING TEMPERATURE: -40°C~85°C
 - RoHS 2002/95/EC COMPLIANT.
 - CRITICAL DIMENSIONS : ∇

| | | | | |
|--|-------------|----------|--------------|--|
| D | PCB | 1 | FR4-1 | T-043 |
| C | SHELL | 1 | SPOC 0.30I | N: PLATING |
| B | CONTACT | 10 | C5191 0.20I | Gold Flash On Contact Area Tin plated on Solder tail All over Nickel Plated. |
| A | HOUSING | 1 | LCP | BLACK |
| NO | DESCRIPTION | QTY | MATERIAL | PLATING & COLOR |
| UNLESS OTHERWISE SPECIFIED TOLERANCES | | | | |
| DECIMALS: | ANGLES: | | | |
| X : ±0.5 | X : ±2° | | | |
| X.X : ±0.3 | X.X : ±1° | | | |
| X.XX : ±0.2 | | | | |
| | | | | |
| TITLE: MINI 10P公头線PCB板型=18.0 (2点3-5, 9-10) | | PART NO. | 1031002GR072 | |
| DWG | | BROKEN | 2020.12.26 | |
| CHKD | | | | |
| APVD | | | | |
| SCALE 1:1 | | UNIT: mm | | |
| CUSTOMER COPY | | SIZE: A4 | SHEET: 10F1 | REV: C |