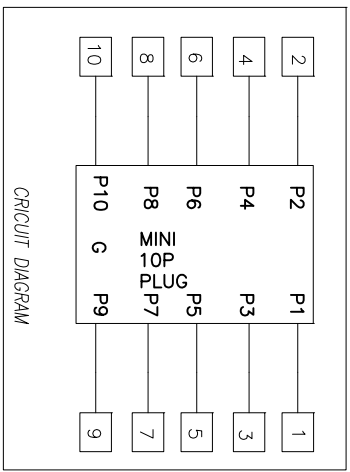
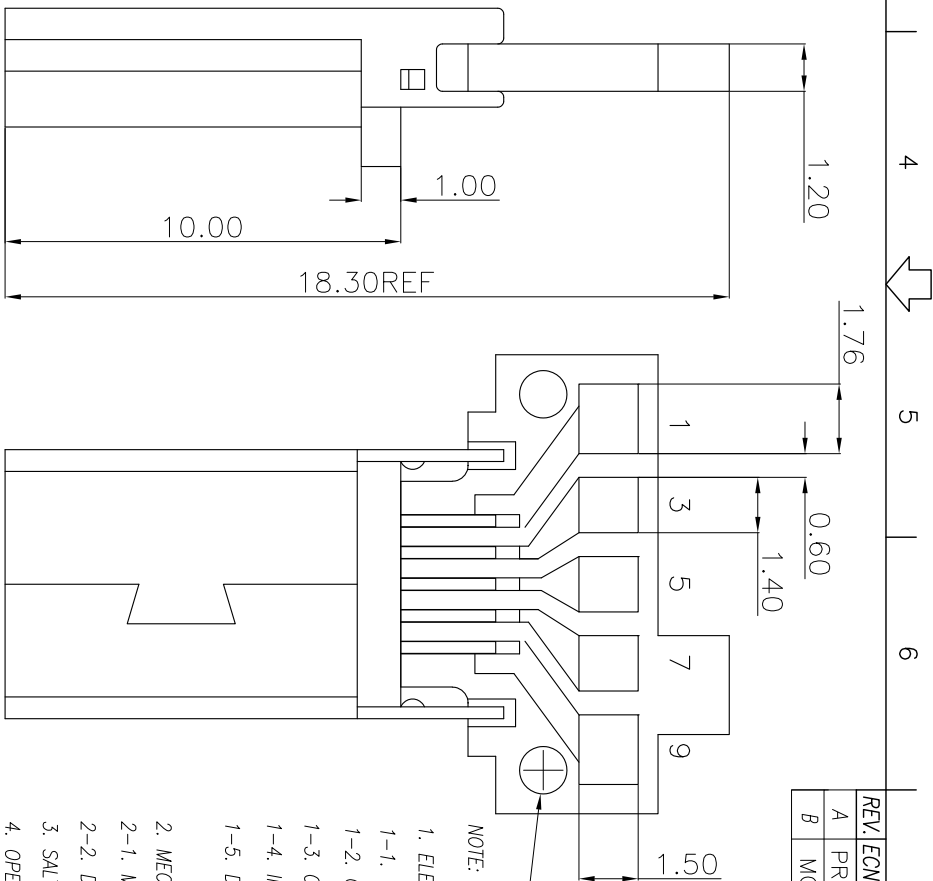
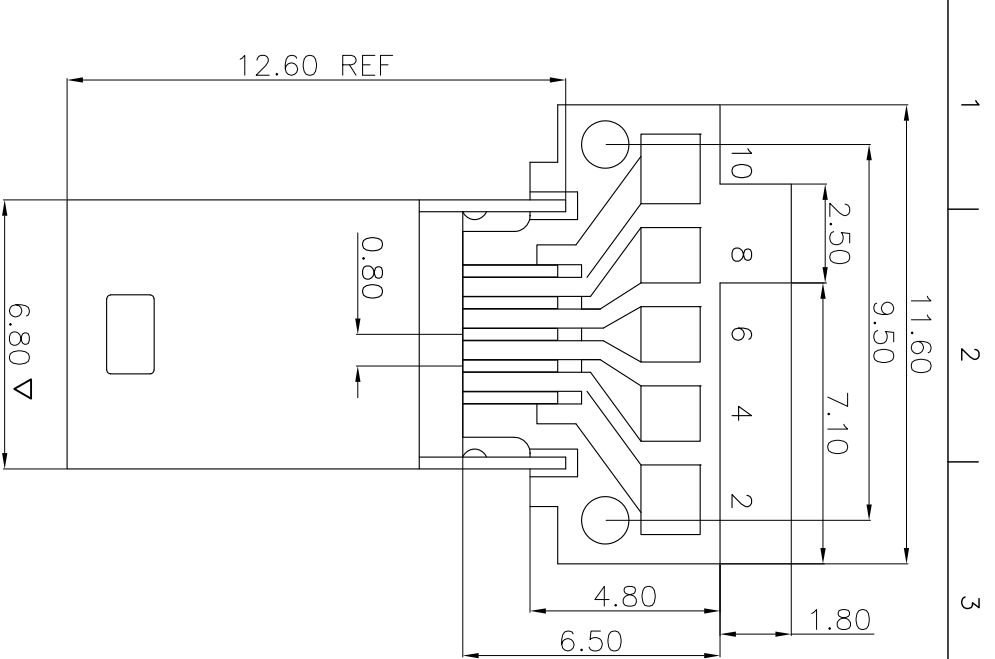


THIS INFORMATION IS CONFIDENTIAL AND IS DISCLOSED TO YOU ON CONDITION THAT NO FURTHER DISCLOSURE IS MADE BY YOU TO OTHER THAN TETULL PERSONNEL WITHOUT WRITTEN AUTHORIZATION FROM TETULL LTD.



| REV | ECN NO OR DESCRIPTION | REVISED | DATE |
|-----|-----------------------|---------|------------|
| A | PRODUCT RELEASE | MKE | 2021.09.25 |
| B | MODIFY | BROKEN | 2021.11.03 |

- NOTE:
1. ELECTRICAL CHARACTERISTICS
 - 1-1. VOLTAGE RATING:30V AC
 - 1-2. CURRENT RATING:2.0A
 - 1-3. CONTACT RESISTANCE: 50 milliohms MAX.
 - 1-4. INSULATION RESISTANCE: 100 Megohms MIN.
 - 1-5. DIELECTRIC WITHSTANDING VOLTAGE: 500V AC FOR 1 MINUTE.
 2. MECHANICAL CHARACTERISTICS
 - 2-1. MATING&UMATING FORCE: 0.7kgf~3.5kgf
 - 2-2. DURIBILITY:10000CYCLES
 - 3. SALT SPRAY: 24H
 - 4. OPERATING TEMPERATURE: -40C~85C
 - 5. RoHS 2002/95/EC COMPLIANT.
 - 6. CRITICAL DIMENSIONS : ▽

| NO | DESCRIPTION | QTY | MATERIAL |
|----|-------------|-----|-------------|
| D | PCB | 1 | FR4-1 |
| C | SHELL | 1 | SPCC 0.30t |
| B | CONTACT | 10 | C5191 0.20t |
| A | HOUSING | 1 | LCP |

| UNLESS OTHERWISE SPECIFIED TOLERANCES | | TITLE: | |
|---------------------------------------|-----------|--|--------------|
| DECIMALS: | ANGLES: | MINI 10P公头绿PCB板(孔)=18.3 (10点) 接线夹式 T-081 | |
| X : ±0.5 | X : ±2° | PART NO. | 1031002GR094 |
| X.X : ±0.3 | X.X : ±1' | DWG | BROKEN |
| X.XX : ±0.2 | | CHD | |
| | | APVD | |
| | | SCALE 1:1 | UNIT: mm |
| | | SIZE: A4 | SHEET: 10F1 |
| | | | REV: B |



CUSTOMER COPY