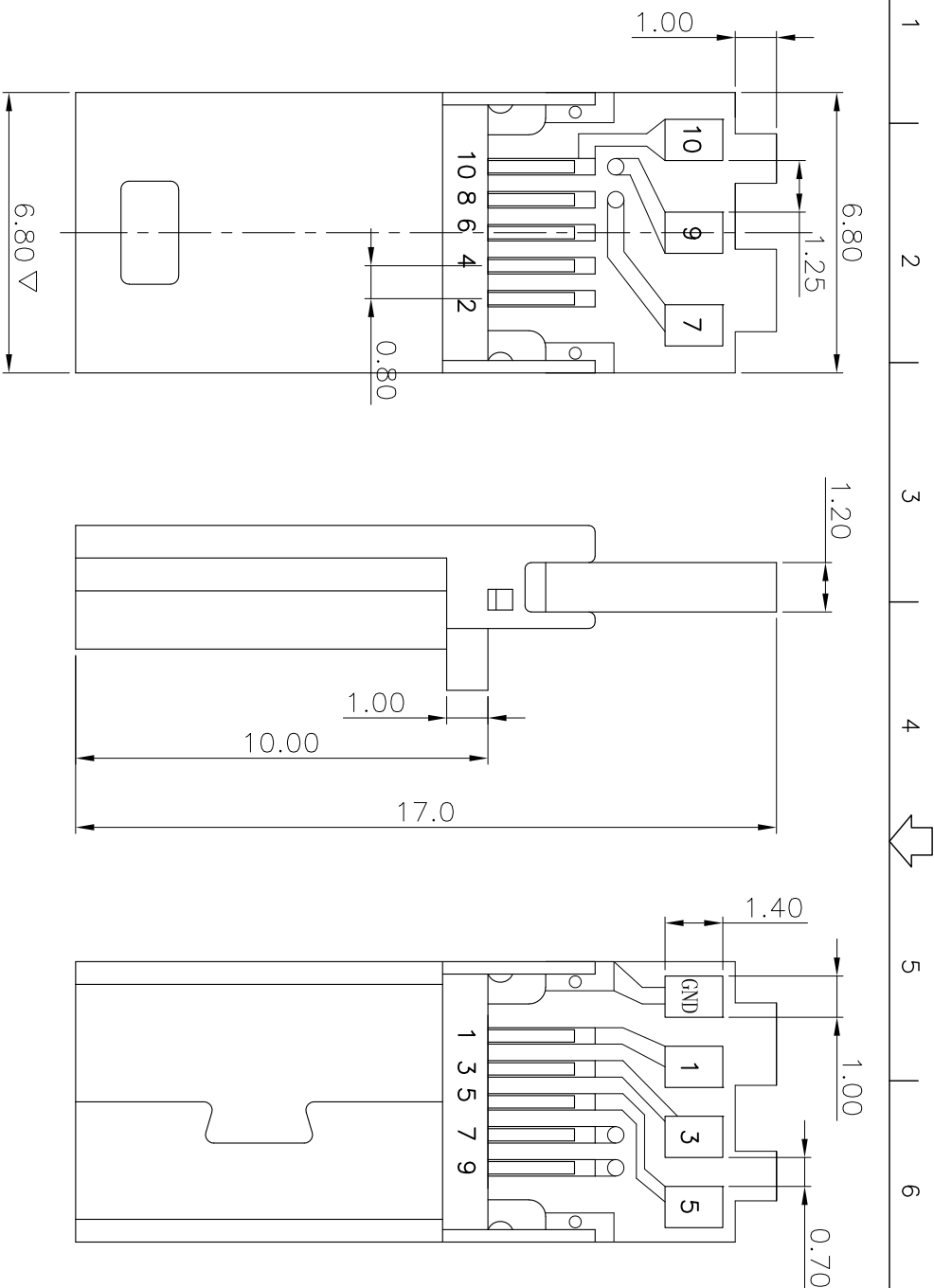
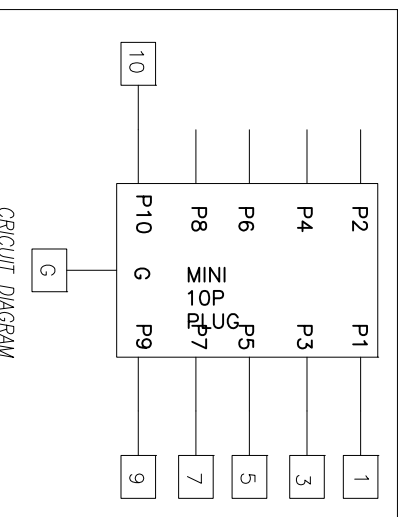
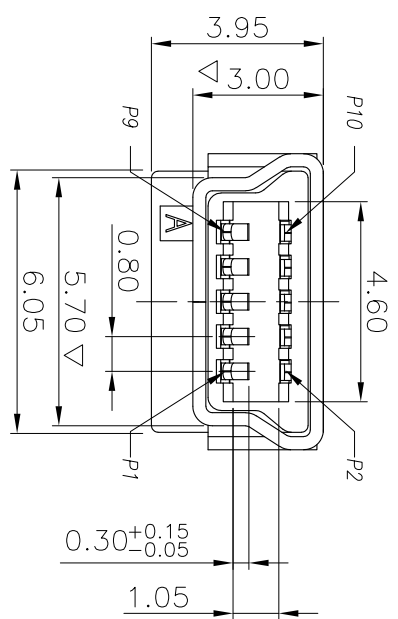


THIS INFORMATION IS CONFIDENTIAL AND IS DISCLOSED TO YOU ON CONDITION THAT NO FURTHER DISCLOSURE IS MADE BY YOU TO OTHER THAN TETULL PERSONNEL WITHOUT WRITTEN AUTHORIZATION FROM TETULL LTD.



- NOTE:
1. ELECTRICAL CHARACTERISTICS
    - 1-1. VOLTAGE RATING:30V AC
    - 1-2. CURRENT RATING:2.0A
    - 1-3. CONTACT RESISTANCE: 50 milliohms MAX.
    - 1-4. INSULATION RESISTANCE: 100 Megohms MIN.
    - 1-5. DIELECTRIC WITHSTANDING VOLTAGE: 500V AC FOR 1 MINUTE.
  2. MECHANICAL CHARACTERISTICS
    - 2-1. MATING&UNMATING FORCE: 0.7kgf~3.5kgf
    - 2-2. DURIBILITY:10000CYCLES
    - 3. SALT SPRAY: 24H
    - 4. OPERATING TEMPERATURE:-40°C~85°C
    - 5. RoHS 2002/95/EC COMPLIANT.
    - 6. CRITICAL DIMENSIONS : ▽



REV.	ECN NO OR DESCRIPTION	REVISED	DATE
A	PRODUCT RELEASE	MKE	2019.12.10
B	MODIFY	BROKEN	2020.10.10

D	PCB	1	FR4-1	T-042
C	SHELL	1	SPOC 0.30t	N: PLATING
B	CONTACT	10	C5191 0.20t	Gold Flash On Contact Area Tin plated on Solder tail All over Nickel Plated.
A	HOUSING	1	LCP	BLACK
NO	DESCRIPTION	QTY	MATERIAL	PLATING & COLOR
UNLESS OTHERWISE SPECIFIED TOLERANCES DECIMALS: ANGLES: X :±0.5 X :±2° X.X :±0.3 X.X :±1' X.XX :±0.2				
TITLE: MINI 10P公头绿PCB插头型=17.0 (7点1、3、5、7、9、10、6)				
PART NO. 1031002GR074				
DWG BROKEN 2020.10.10				
CHND				
APVD				
SCALE 1:1 UNIT: mm				
SIZE: A4 SHEET: 10F1 REV: B				
CUSTOMER COPY				