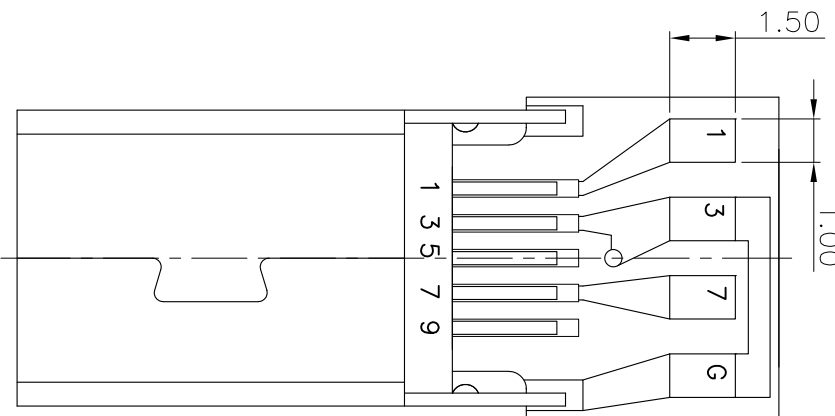
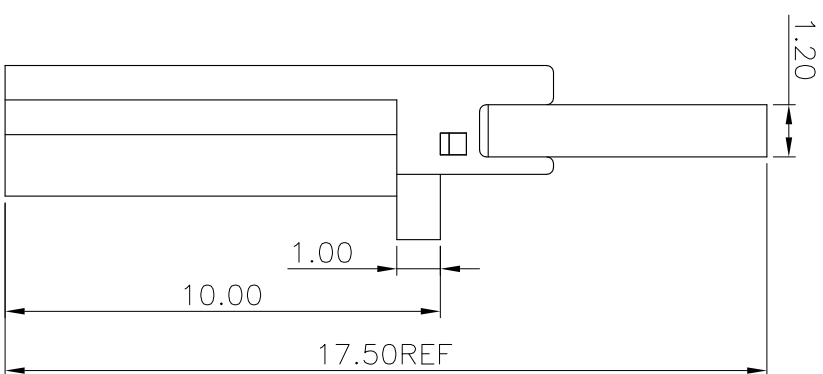
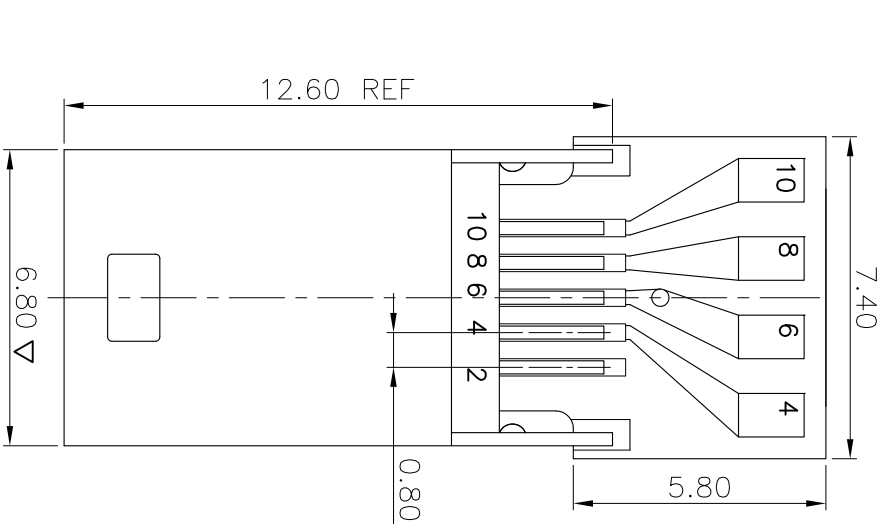


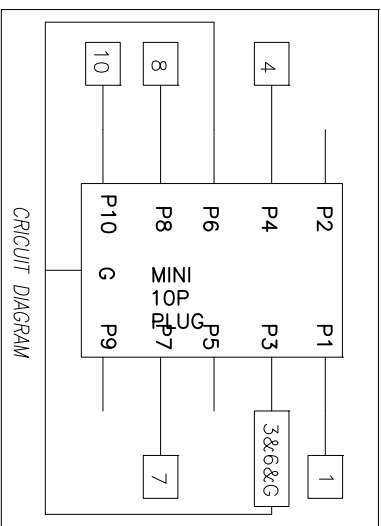
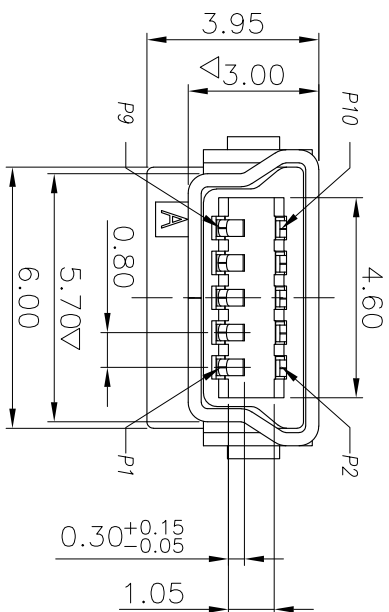
THIS INFORMATION IS CONFIDENTIAL AND IS DISCLOSED TO YOU ON CONDITION THAT NO FURTHER DISCLOSURE IS MADE BY YOU TO OTHER THAN TETULL PERSONNEL WITHOUT WRITTEN AUTHORIZATION FROM TETULL LTD.



NOTE:

1. ELECTRICAL CHARACTERISTICS
  - 1-1. VOLTAGE RATING:30V AC
  - 1-2. CURRENT RATING:2.0A
  - 1-3. CONTACT RESISTANCE: 50 milliohms MAX.
  - 1-4. INSULATION RESISTANCE: 100 Megohms MIN.
  - 1-5. DIELECTRIC WITHSTANDING VOLTAGE: 500V AC
- FOR 1 MINUTE.
2. MECHANICAL CHARACTERISTICS
  - 2-1. MATING&UNMATING FORCE: 0.7kgf~3.5kgf
  - 2-2. DURIBILITY:10000CYCLES
  - 3. SALT SPRAY: 24H
  - 4. OPERATING TEMPERATURE:-40°C~85°C
  - 5. RoHS 2002/95/EC COMPLIANT.
  - 6. CRITICAL DIMENSIONS : ▽

REV/ECN NO OR DESCRIPTION	REVISED	DATE
A PRODUCT RELEASE	MKE	2011.09.25
B MODIFY	BROKEN	2015.02.01



D	PCB	1	FR4-1	T-021
C	SHELL	1	SPCC 0.30t	N: PLATING
B	CONTACT	10	C5191 0.20t	Gold Flash On Contact Area Tin plated on Solder tail All over Nickel Plated.
A	HOUSING	1	LCP	BLACK
NO	DESCRIPTION	QTY	MATERIAL	PLATING & COLOR
TITLE: MINI 10P公头连接器(插孔)=17.5 (6#1, 4, 3-6-6, 7, 8, 10)				
UNLESS OTHERWISE SPECIFIED TOLERANCES		PART NO. 1031002GR044		
DECIMALS: .±0.5		DWG BROKEN		
ANGLES: .±2°		2015.02.01		
X.X .±0.3		APVD		
X.XX .±0.2		SCALE 1:1		
		UNIT: mm		
		SIZE: A4		
		SHEET: 10F1		
		REV: B		



CUSTOMER COPY