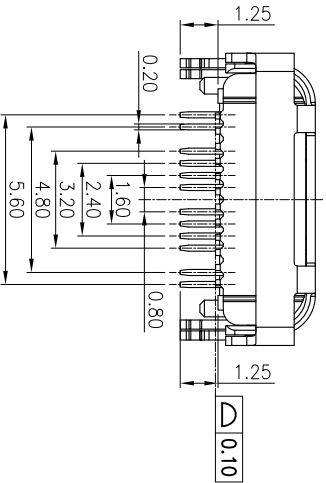
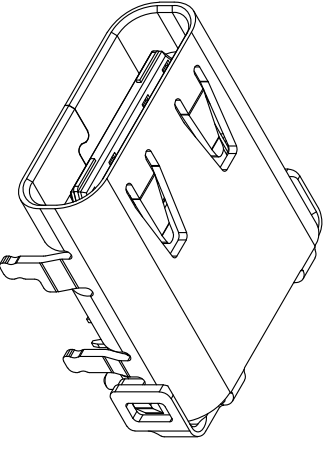
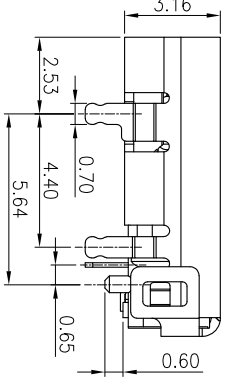
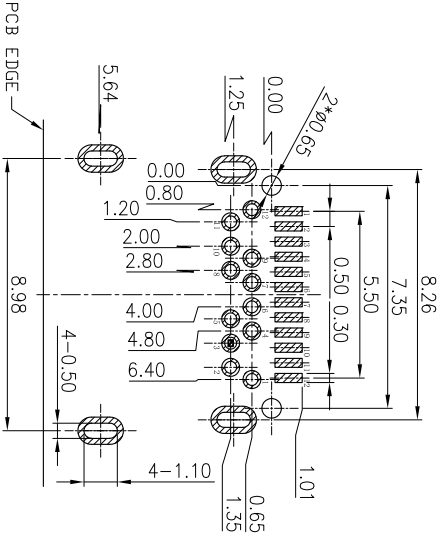
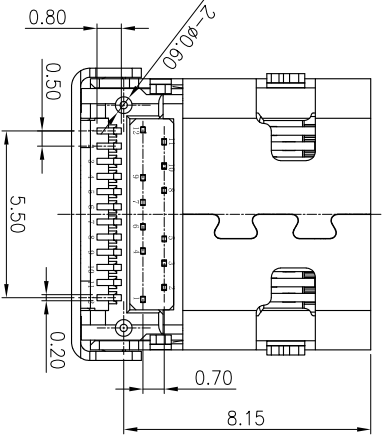
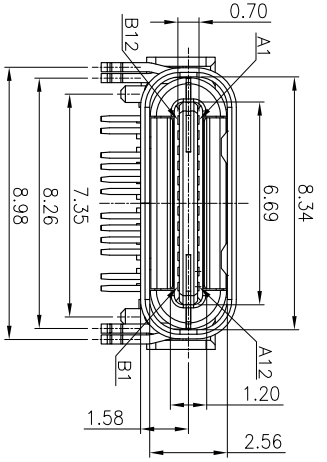
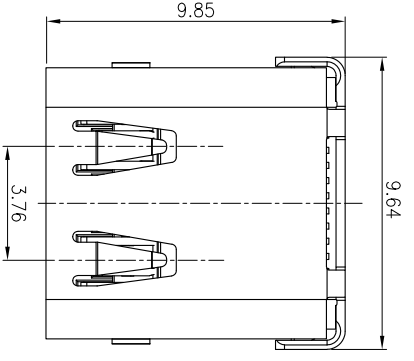


THIS INFORMATION IS CONFIDENTIAL AND IS DISCLOSED TO YOU ON CONDITION THAT NO FURTHER DISCLOSURE IS MADE BY YOU TO OTHER THAN TETULL PERSONNEL WITHOUT WRITTEN AUTHORIZATION FROM TETULL LTD.



REV/ECN NO OR DESCRIPTION	REVISED	DATE
A PRODUCT RELEASE	ARES	2016.04.13
B MODIFY	ARES	2018.05.25
C MODIFY	BROKEN	2020.03.11

- NOTE:
- ELECTRICAL CHARACTERISTICS
    - VOLTAGE RATING: 20V MAX
    - CURRENT RATING: 5.0A MAX
    - CONTACT RESISTANCE: 40 milliohms MAX.
    - INSULATION RESISTANCE: 100 Megohms MIN.
    - DIELECTRIC WITHSTANDING VOLTAGE: 100V AC FOR 1 MINUTE.
  - MECHANICAL CHARACTERISTICS
    - MATING FORCE: 5~20N
    - UNMATING FORCE: 8~20N
    - DURABILITY:10000 CYCLES
    - SALT SPRAY: 24H
    - OPERATING TEMPERATURE:-40°C~85°C
    - ROHS 2002/95/EC COMPLIANT.
    - MPQ : 1000PCS/REEL.

A1	GND	B12	GND
A2	SSTXP1	B11	SSRXp1
A3	SSTXN1	B10	SSRXN1
A4	VBUS	B9	VBUS
A5	CCI	B8	SBU2
A6	DP1	B7	DN2
A7	DN1	B6	DP2
A8	SPU1	B5	CC2
A9	VBUS	B4	VBUS
A10	SSRXN2	B3	SSTXN2
A11	SSRXp2	B2	SSTXP2
A12	GND	B1	GND

D	SHIELD	1	STAINLESS STEEL 0.30t	NI PLATING
C	GROUND PLATE	1	STAINLESS STEEL 0.15t	NI PLATING
B	CONTACT	24	COPPER ALLOY 0.12t	Gold Flash on Contact Area Gold Flash on Solder tail All over Nickel Plated.
A	HOUSING	1	THERMOPLASTIC UHQ-40	BLACK
NO	DESCRIPTION	QTY	MATERIAL	PLATING & COLOR

UNLESS OTHERWISE SPECIFIED TOLERANCES

DECIMALS: ANGLES:

X : ±0.5 X : ±2°  
 X X : ±0.3 X X : ±1°  
 X X X : ±0.2

TITLE: USB TYPE C 24P SMF-HDIP TYPE  
 PART NO: 1022403R0003  
 DWG: BROKEN  
 CHKD: 2020.03.11  
 APVD: A  
 SCALE 1:1 UNIT: mm  
 SIZE: A4 SHEET: 10F1 REV: C