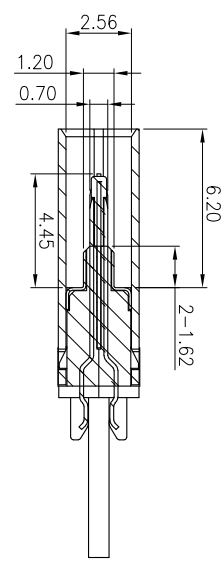
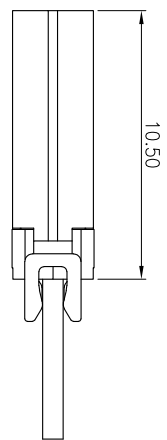
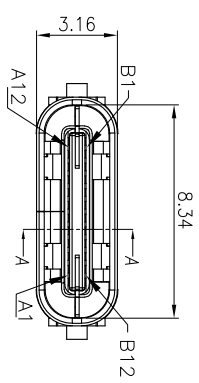
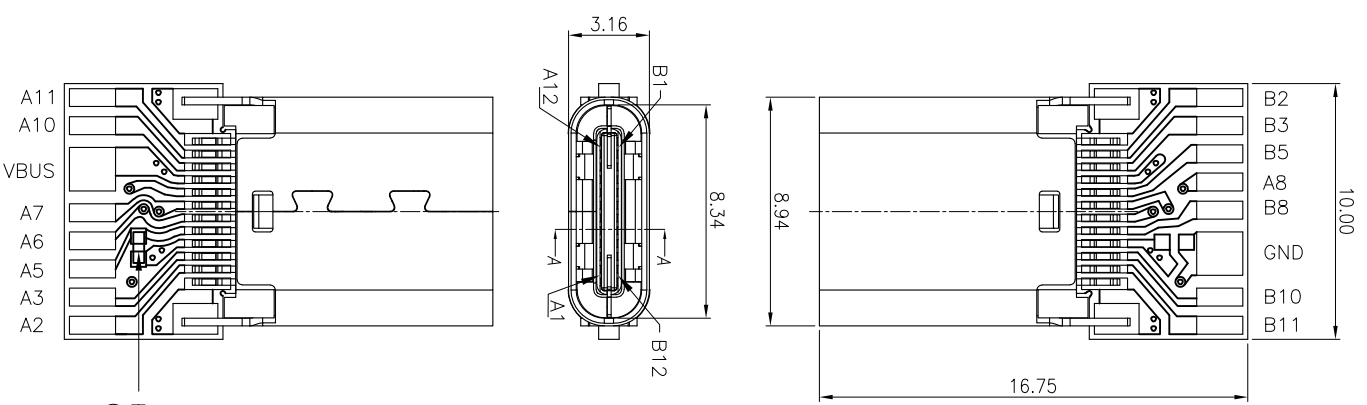


THIS INFORMATION IS CONFIDENTIAL AND IS DISCLOSED TO YOU ON CONDITION THAT NO FURTHER DISCLOSURE IS MADE BY YOU TO OTHER THAN TETULL PERSONNEL WITHOUT WRITTEN AUTHORIZATION FROM TETULL LTD.



R=56K  
0402

USB TYPE-C FULL-FEATURED RECEPTACLE INTERFACE PIN ASSIGNMENTS

PIN	Signal Name	Description	PIN	Signal Name	Description
A1	GND	Ground return	B12	GND	Negative half of first SuperSpeed TX differential pair
A2	SSTW1	Positive half of first SuperSpeed TX differential pair	B11	SSRX1	Positive half of first SuperSpeed RX differential pair
A3	SSTW1	Negative half of first SuperSpeed TX differential pair	B10	SSRX1	Negative half of first SuperSpeed RX differential pair
A4	Vbus	Bus Power	B9	Vbus	Bus Power
A5	CC1	Configuration Channel	B8	REU1	Reserved for future use (REU)
A6	Dp1	Positive half of the USB 2.0 differential pair-Position 1	B7	Dn1	Negative half of the USB 2.0 differential pair-Position 1
A7	Dn1	Negative half of the USB 2.0 differential pair-Position 1	B6	Dp1	Positive half of the USB 2.0 differential pair-Position 1
A8	REU1	Reserved for future use (REU)	B5	CC1	Configuration Channel
A9	Vbus	Bus Power	B4	Vbus	Bus Power
A10	SSRW2	Negative half of second SuperSpeed RX differential pair	B3	SSTW2	Positive half of first SuperSpeed TX differential pair
A11	SSRW2	Positive half of second SuperSpeed RX differential pair	B2	SSTW2	Negative half of first SuperSpeed TX differential pair
A12	GND	Ground return	B1	GND	Ground return

NOTE:

- ELECTRICAL CHARACTERISTICS
  - VOLTAGE RATING: 20V MAX
  - CURRENT RATING: 5.0A MAX
  - CONTACT RESISTANCE: 40 milliohms MAX.
  - INSULATION RESISTANCE: 100 Megohms MIN.
  - DIELECTRIC WITHSTANDING VOLTAGE: 100V AC FOR 1 MINUTE.
- MECHANICAL CHARACTERISTICS
  - MATING FORCE: 5~20N
  - UNMATING FORCE: 8~20N
  - DURABILITY: 10000 CYCLES
  - SALT SPRAY: 24H
  - OPERATING TEMPERATURE: -40°C~85°C
  - ROHS 2002/95/EC COMPLIANT.

E	PCB	1	FR-4		
D	SHIELD	1	STAINLESS STEEL	N: PLATING	
C	GUARD PLATE	1	STAINLESS STEEL	N: PLATING	
B	CONTACT	24	COPPER ALLOY	1 $\mu$ Gold On Contact Area All over: Nickel Plated	
A	HOUSING	1	THERMOPLASTIC U94-10	BLACK	
NO	DESCRIPTION	QTY	MATERIAL	PLATING & COLOR	
UNLESS OTHERWISE SPECIFIED TOLERANCES					
DECIMALS:		ANGLES:			
X : ±0.5		X : ±2°			
X.X : ±0.3		X.X : ±1°			
X.XX : ±0.2		X.XX : ±1'			
TITLE: USB TYPE C 24P 夹板式带PCB			PART NO. 10224073R005		
CUSTOMER COPY			DWN JAMES 2020.03.10		
SCALE 1:1			APVD		
SIZE: A4			UNIT: mm		
SHEET: 10F1			REV: A		

REV/ECN NO OR PRODUCT	DESCRIPTION	RELEASE	REVISED	DATE
A	PRODUCT	RELEASE	JAMES	2020.03.10