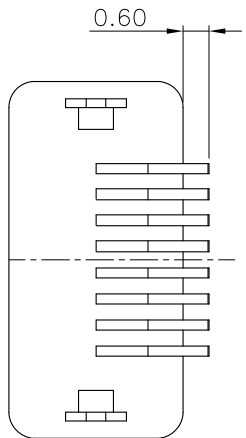


THIS INFORMATION IS CONFIDENTIAL AND IS DISCLOSED TO YOU ON CONDITION THAT NO FURTHER DISCLOSURE IS MADE BY YOU TO OTHER THAN TETULL PERSONNEL WITHOUT WRITTEN AUTHORIZATION FROM TETULL LTD.



PIN NO.	NAME	PIN NO.	NAME
1	GND	6	DN2
2	DP1	7	DP2
3	DN1	8	ACC2
4	ACC1		
5	PWR IN		

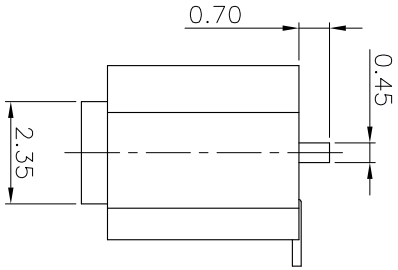
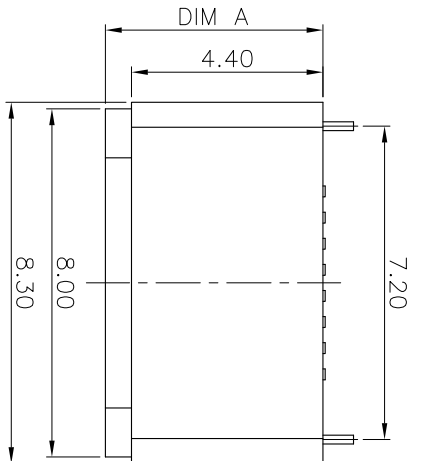
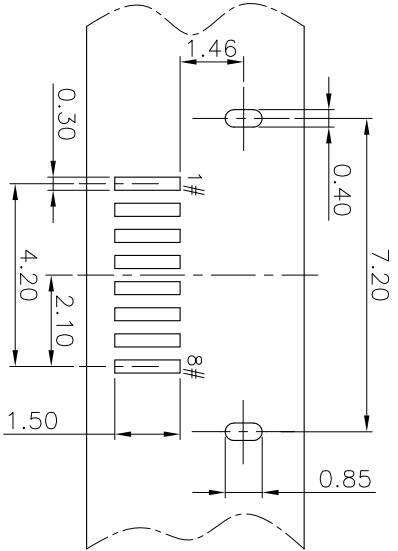
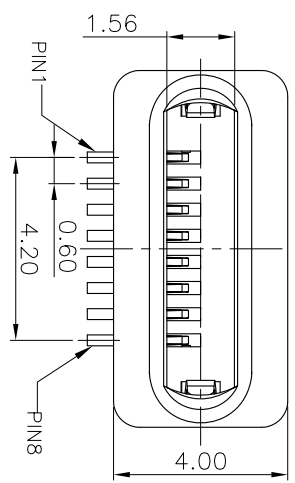
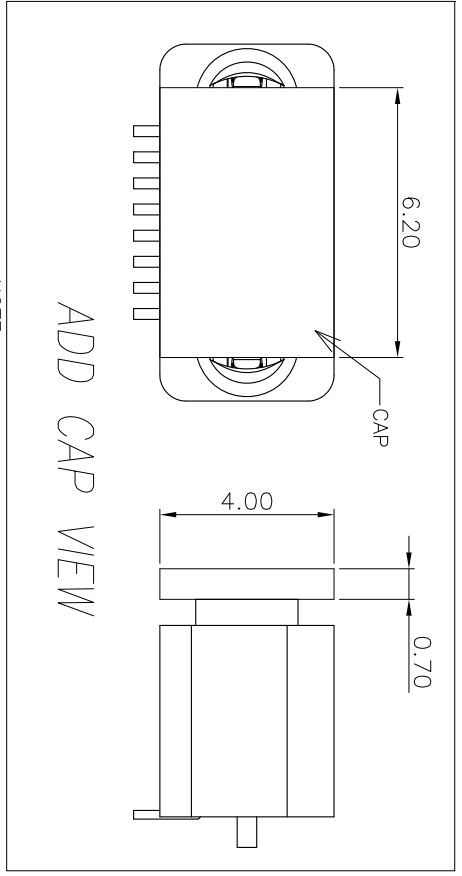


TABLE:

P/N.	DIM A
1221001AR004	4.80
1221001AR005	5.00
1221001AR006	5.50



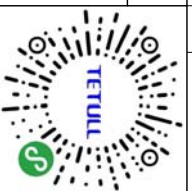
RECOMMENDED P.C.B. LAYOUT  
TOLERANCE UNSPECIFIED ±0.05mm

- NOTE:
- ELECTRICAL CHARACTERISTICS
    - 1-1. VOLTAGE RATING: 30V AC
    - 1-2. CURRENT RATING: 1.5A
    - 1-3. CONTACT RESISTANCE: 50 milliohms MAX.
    - 1-4. INSULATION RESISTANCE: 100 Megohms MIN.
    - 1-5. DIELECTRIC WITHSTANDING VOLTAGE: 500V AC FOR 1 MINUTE.
  - MECHANICAL CHARACTERISTICS
    - 2-1. Mating FORCE: 15N MAX.
    - 2-2. Unmating FORCE: 3N MIN.
    - 2-3. DURIBILITY: 5000 CYCLES
    - 2-4. OPERATING TEMPERATURE: -40°C ~ 85°C
    - 2-5. MPQ : 1000 PCS/REEL.

NO	DESCRIPTION	QTY	MATERIAL	PLATING & COLOR
D	CAP	1	THERMOPLASTIC U94-V0	BLACK
C	LATCH	1	STAINLESS STEEL 0.20t	Ni-PLATING
B	CONTACT	8	COPPER ALLOY 0.20t	Gold Flash On Contact Area Tin plated on Solder tail All over Nickel Plated.
A	HOUSING	1	THERMOPLASTIC U94-V0	WHITE

UNLESS OTHERWISE SPECIFIED TOLERANCES

DECIMALS:	ANGLES:
X : ±0.5	X : ±2°
X.X : ±0.3	X.X : ±1°
X.XX : ±0.2	



TITLE: 0.6 Pitch 8P 1/0 CONN 180° SMT TYPE

PART NO.	DWN	CHKD	APVD
1221001AR00X	MIKE		
		2019.05.22	

SCALE 1:1 UNIT: mm

REV/ECN NO OR DESCRIPTION	REVISED	DATE
A PRODUCT RELEASE	MIKE	2019.05.22