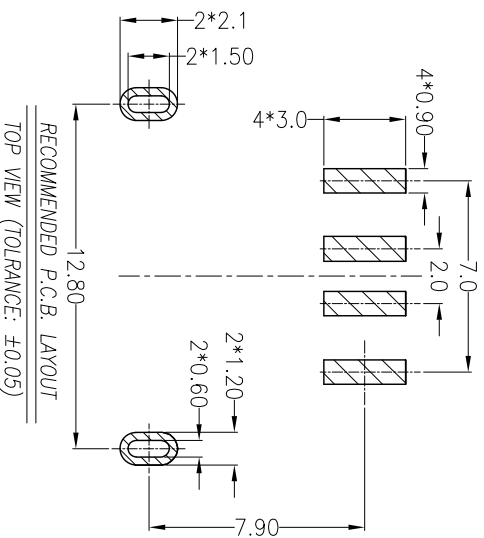
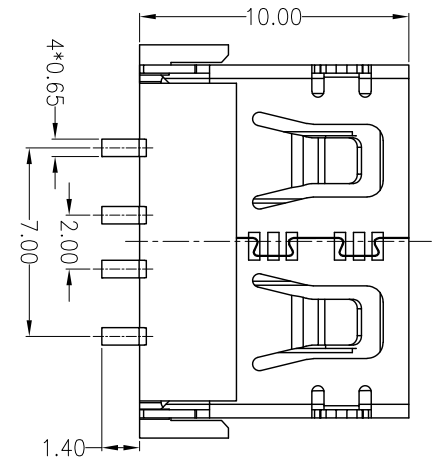
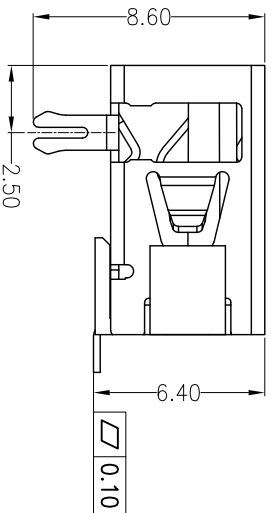
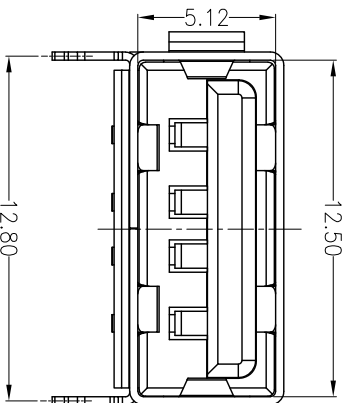
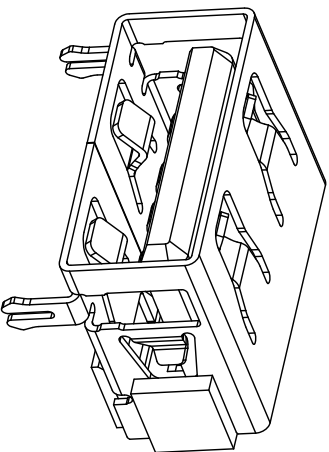
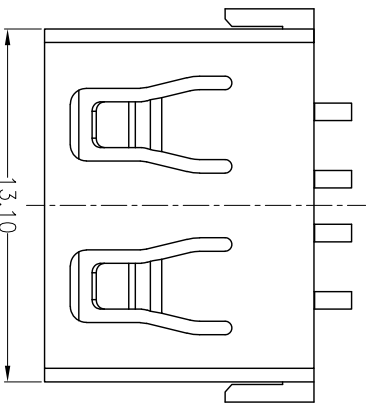


THIS INFORMATION IS CONFIDENTIAL AND IS DISCLOSED TO YOU ON CONDITION THAT NO FURTHER DISCLOSURE IS MADE BY YOU TO OTHER THAN TETULL PERSONNEL WITHOUT WRITTEN AUTHORIZATION FROM TETULL LTD.



RECOMMENDED P.C.B. LAYOUT  
TOP VIEW (TOLERANCE: ±0.05)

NOTE:

1. ELECTRICAL CHARACTERISTICS
  - 1-1. VOLTAGE RATING: 30V MAX
  - 1-2. CURRENT RATING: 2.0A MAX
  - 1-3. CONTACT RESISTANCE: 30 milliohms MAX.
  - 1-4. INSULATION RESISTANCE: 1000 Megohms MIN.
  - 1-5. DIELECTRIC WITHSTANDING VOLTAGE: 500V AC
- FOR 1 MINUTE.
2. MECHANICAL CHARACTERISTICS
  - 2-1. MATING FORCE: 35N MAX
  - 2-2. UNMATING FORCE: 10N MIN
  - 2-3. DURIBILITY: 5000 CYCLES
  - 3. SALT SPRAY: 24H
  - 4. OPERATING TEMPERATURE: -40°C~85°C
  - 5. ROHS 2002/95/EC COMPLIANT.
  - 6. MPQ : SEE TABLE.

TABLE:

300PCS/REEL	1020431AR013
100PCS/TRAY	1020431AT013
PACKING	P/N

C	SHELL	1	SPQC 0.30T	N/ PLATING
B	TERMINAL	4	COPPER ALLOY 0.20T	Gold Flash On Contact Area Tin plated on Solder tail All over Nickel Plated.
A	HOUSING	1	HIGH-TEMPERATURE PLASTIC U94-10	BLACK
NO	DESCRIPTION	QTY	MATERIAL	PLATING & COLOR

UNLESS OTHERWISE SPECIFIED TOLERANCES

DECIMALS: ANGLES:

X : ±0.5 X : ±2'  
X.X : ±0.3 X.X : ±1'  
X.XX : ±0.2

**TETULL**

CUSTOMER COPY

PART NO.	1020431AR013AT013
DWN	ARES
CHKD	2018.07.09
APVD	
SCALE	1:1
SIZE	A4
SHEET	10F1
UNIT	mm
REV.	A

REV.	ECN NO OR DESCRIPTION	REVISED	DATE
A	PRODUCT RELEASE	ARES	2018.07.09